

FULL LIFT SAFETY VALVE zARMAK



Body material	Nominal pressure	Nominal diameter	Max. temperature	Ex. index
A Grey cast iron	C 16 bar	DN 20-150	300°C	6301
A Grey cast iron	C 16 bar	DN 20-100	120°C	6301M
C Nodular cast iron	E 40 bar	DN 20-100	350°C	6301S
F Cast steel	E 40 bar	DN 20-150	400°C	6302
F Cast steel	E 40 bar	DN 20-100	120°C	6302M
R Acid resistant steel	E 40 bar	DN 20-100	300°C	6302CrNi
F Cast steel	F 63 bar	DN 20-400	400°C	6303
G Acid resistant steel	F 100 bar	DN 25-100	400°C	6304

CE 0045

CE 1433

More information on page 22

FEATURES

- flange dimension according to PN EN 1092
- valves made according to PN EN ISO 4126-1
- high tightness

For valve with soft sealing

- quiet work of valve
- raised tightness of closure
- protection of disc sealing surface against a lime scale settling as well as against any small mechanical dirt

APPLICATION *

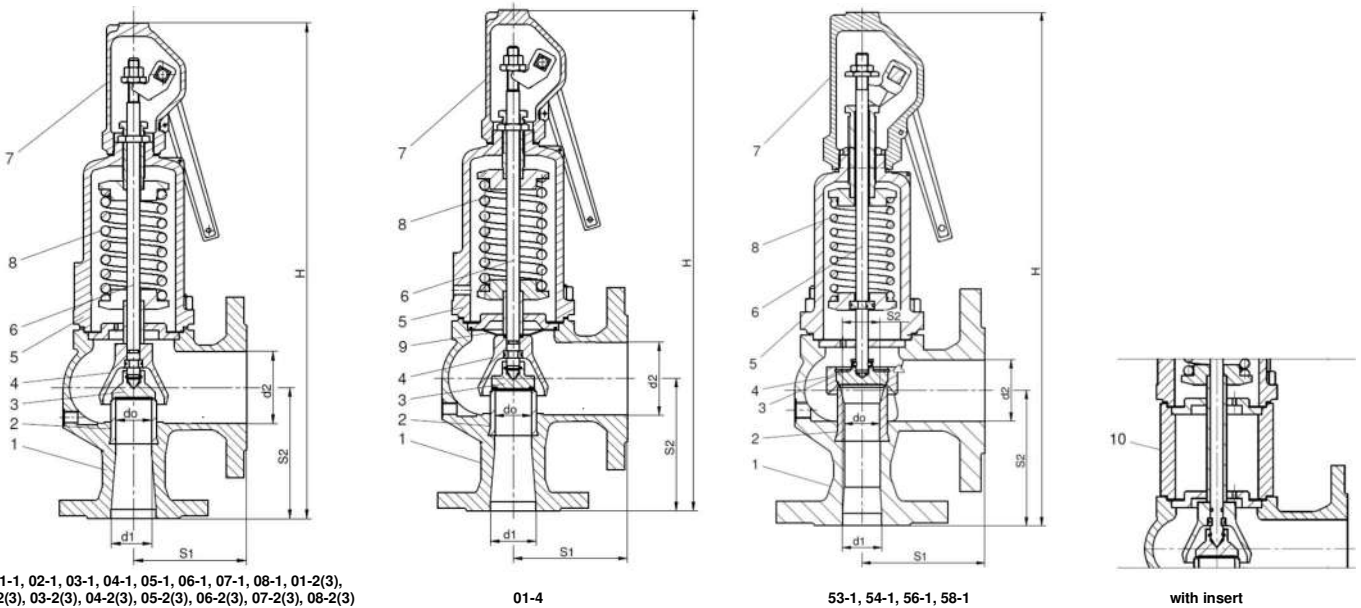
* not all of the applications are suitable for all of the executions

industries							
	INDUSTRY	SHIPBUILDING INDUSTRY	PETROCHEMICAL INDUSTRY	HEATING	REFRIGERATION AND AIR CONDITIONING	GAS	POWER ENGINEERING
media							
	DRINKING WATER	SEWAGE	GLYCOL	INDUSTRIAL WATER	STEAM	COMPRESSED AIR	NEUTRAL FLUIDS

Data given can be changed without notice.

Edition 01/2018

MATERIALS, DIMENSIONS PN16 AND PN40



01-1, 02-1, 03-1, 04-1, 05-1, 06-1, 07-1, 08-1, 01-2(3), 02-2(3), 03-2(3), 04-2(3), 05-2(3), 06-2(3), 07-2(3), 08-2(3)

01-4

53-1, 54-1, 56-1, 58-1

with insert

	Body material	A				C		
		standard	with soft sealing disc	with membrane	with extended seat	standard	with soft sealing disc	with extended seat
		01-1, 02-1, 03-1, 04-1 05-1, 06-1, 07-1, 08-1	01-2(3), 02-2(3), 03-2(3), 04-2(3), 05-2(3), 06-2(3), 07-2(3), 08-2(3)	01-4	53-1, 54-1, 56-1, 58-1	01-1, 02-1, 03-1, 04-1 05-1, 06-1, 07-1, 08-1	01-2(3), 02-2(3), 03-2(3), 04-2(3), 05-2(3), 06-2(3), 07-2(3), 08-2(3)	53-1, 54-1, 56-1, 58-1
1	Body	EN-GJL-250 5.1301				EN-GJS-400-18-LT 5.3103		
2	Seat	X39CrMo17-1 1.4122						
3	Disc	X39CrMo17-1 1.4122	X6CrNiTi18-10/EPDM or /NBR 1.4541/EPDM or /NBR		X39CrMo17-1 1.4122	X39CrMo17-1 1.4122	X6CrNiTi18-10/ EPDM or /NBR	X39CrMo17-1 1.4122
4	Bell	EN-GJS-400-15 5.3106			X20Cr13 1.4021	EN-GJS-400-15 5.3106		X20Cr13 1.4021
5	Bonnet	EN-GJL-250 / EN-GJS-400-15 5.1301 / 5.3106				EN-GJS-400-15 5.3106		
6	Spindle	X20Cr13* 1.4021						
7	Cap	EN-GJL-250 / EN-GJS-400-15 5.1301 / 5.3106				EN-GJS-400-15 5.3106		
8	Spring	51CrV4** 1.8159						
9	Membrane	-----		EPDM	-----			
Temperature range		-10...300°C***	-10...120°C EPDM -10...90°C NBR	-10...120°C	-10...300°C	-10...350°C	-10...120°C EPDM -10...90°C NBR	-10...350°C

* For marine type (05, 06, 07, 08, 56, 58) spindle made of: X17CrNi16-2
 ** Springs with wire diameter up to $\Phi 6$ of patent wire, max. working temperature is 250 °C
 *** For steam boilers are restrictions according to WUDT-UC-WO-M- it is 10 bar and 200 °C

Data given can be changed without notice.

Edition 01/2018

ZETKAMA Sp. z o.o.
 Ul. 3 Maja 12
 PL 57-410 Ścinawka Średnia

Tel. +48 74 8652 193
 Tel. +48 74 8652 111
 Fax +48 74 8652 199

E-mail export@zetskama.com.pl
 www.zetskama.com

FIG.630



	Body material	F				R		
		Type	standard	with soft sealing disc	with membrane	with extended seat	standard	with extended seat
			01-1, 02-1, 03-1, 04-1 05-1, 06-1, 07-1, 08-1	01-2(3), 02-2(3), 03-2(3), 04-2(3), 05-2(3), 06-2(3), 07-2(3), 08-2(3)	01-4	53-1, 54-1, 56-1, 58-1	02-1, 04-1	54-1
1	Body	GP240GH 1.0619				GX5CrNi19-10 1.4308		
2	Seat	X39CrMo17-1 1.4122				X6CrNiTi18-10 1.4541		
3	Disc	X39CrMo17-1 1.4122	X6CrNiTi18-10/EPDM or /NBR 1.4541/EPDM or /NBR		X39CrMo17-1 1.4122	X6CrNiTi18-10 1.4541		
4	Bell	EN-GJS-400-15 5.3106			X20Cr13 1.4021	X6CrNiTi18-10 1.4541		
5	Bonnet	GP240GH 1.0619	EN-GJS-400-15 5.3106		GP240GH 1.0619	GX5CrNi19-10 1.4308		
6	Spindle	X20Cr13* 1.4021				X6CrNiTi18-10 1.4541		
7	Cap	EN-GJS-400-15 5.3106				GX5CrNi19-10 1.4308		
8	Spring	51CrV4** 1.8159				X10CrNi18-10 1.4310	51CrV4** 1.8159	
9	Membrane	----		EPDM	----			
10	Insert	P245GH 1.0352	-----					
Temperature range		-40...400 °C	-40...120°C EPDM -10...90°C NBR	-40...120°C	-40...400°C	-196...300°C		

* For marine type (05, 06, 07, 08, 56, 58) spindle made of: X17CrNi16-2
 ** Springs with wire diameter up to Φ6 of patent wire, max. working temperature is 250 °C

Body material		Type	A (PN16)																			
DN			20x32		25x40		32x50		40x65		50x80		65x100		80x125		100x150		125x200		150x250	
d _o (mm)			16	18	20	23	25	29	32	37	40	46	50	63	77	93	110					
A (mm ²)			201	254	314	416	491	661	804	1075	1257	1662	1964	3117	4657	6793	9503					
S ₁ (mm)			85		95		100		115		125		140		155		175		215		225	
S ₂ (mm)			95		105		110		130		145		150		170		180		220		245	
H (mm)			345		395		420		495		550		660		710		810		860		990	
Pressure at the beginning of bar opening (bar)	min	Standard / with extended seat	0,45																			
	max		16*														12,5		10			
	min	with membrane	0,45																			
	max		10																			
	min	with soft sealing disc	1																			
	max		16																			
Weight (kg)			7,5	9,0	13,0	19,0	25,0	37,0	52,0	77,0	90,0	140,0										

* For steam boilers are restrictions according to WUDT-UC-WO-M- it is 10 bar and 200 °C
 Type with extended seat marked in blue.

Data given can be changed without notice.

Edition 01/2018

ZETKAMA Sp. z o.o.
 Ul. 3 Maja 12
 PL 57-410 Ścinawka Średnia

Tel. +48 74 8652 193
 Tel. +48 74 8652 111
 Fax +48 74 8652 199

E-mail export@zetskama.com.pl
 www.zetskama.com

FIG.630



Body material		Type	C (PN40)														
DN			20x32		25x40		32x50		40x65		50x80		65x100	80x125	100x150	125x200	150x250
d _o (mm)			16	18	20	23	25	29	32	37	40	46	50	63	77		
A (mm ²)			201	254	314	416	491	661	804	1075	1257	1662	1964	3117	4657		
S ₁ (mm)			85		95		100		115		125		140	155	175		
S ₂ (mm)			95		105		110		130		145		150	170	180		
H (mm)			345		395		420		495		550		660	710	810		
Pressure at the beginning of bar opening (bar)	min		Standard / with extended seat	0,45													
	max	40*						32*				25*	20*				
	min	with soft sealing disc	1														
	max		40						32				25	20			
Weight (kg)		7,5		9,0		13,0		19,0		25,0		37,0	52,0	77,0			

* For steam boilers are restrictions according to WUDT-UC-WO-M- it is 10 bar and 200°C.
Type with extended seat marked in blue.

Body material		Type	F, R (PN40)														
DN			20x32		25x40		32x50		40x65		50x80		65x100	80x125	100x150	125x200	150x250
d _o (mm)			16	18	20	23	25	29	32	37	40	46	50	63	77	93	110
A (mm ²)			201	254	314	416	491	661	804	1075	1257	1662	1964	3117	4657	6793	9503
S ₁ (mm)			85		95		100		115		125		140	155	175	215	225
S ₂ (mm)			95		105		110		130		145		150	170	180	220	245
H (mm)	Without insert		345		395		420		495		550		660	710	810	860	990
	With insert		405		465		495		585		655		770	840	955	970	-
Pressure at the beginning of bar opening (bar)	min	Standard / with extended seat	0,45 (0,5)*														
	max		40						32				25	20	12,5	10	
	min	with membrane	0,45														
	max		10														
	min	with soft sealing disc	1														
	max		40						32				25	20			
Weight (kg)		8,0		10,0		14,0		20,0		27,0		39,0	55,0	82,0	100,0	155,0	

* The value in brackets applies to the body material R (standard type)
Type with extended seat marked in blue.

Data given can be changed without notice.

Edition 01/2018

ZETKAMA Sp. z o.o.
Ul. 3 Maja 12
PL 57-410 Ścinawka Średnia

Tel. +48 74 8652 193
Tel. +48 74 8652 111
Fax +48 74 8652 199

E-mail export@zetkama.com.pl
www.zetkama.com

DISCHARGE COEFFICIENTS PN16 I PN40

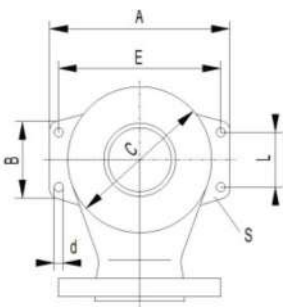
Media	Range	DN											
		20x32	25x40	32x50	40x65	50x80	65x100	80x125	100x150	125x200	150x250		
Body material: A, C, F, R Standard type (01-1, 02-1, 03-1, 04-1, 05-1, 06-1, 07-1, 08-1) Type with soft sealing disc: 01-2(3), 02-2(3), 03-2(3), 04-2(3), 05-2(3), 06-2(3), 07-2(3), 08-2(3) Nominal pressure: PN16, PN40													
S/G	$b_1 = 0,1 \text{ bar for } p \leq 1 \text{ bar}$ $b_1 = 10\% \text{ for } 1 < p \leq 1,4 \text{ bar}$	0,72											
	$b_1 = 10\% \text{ for } p > 1,4 \text{ bar}$	0,78											
L	$b_1 = 10\% \text{ for } p \leq 6 \text{ bar}$	0,01											
	$b_1 = 10\% \text{ for } p > 6 \text{ bar}$	0,28											
S/G	$b_1 = 10\%$ type with limited disc leap	0,36											
Body material: A, F Type with membrane (01-4) Nominal pressure: PN16, PN40													
S/G	$b_1 = 0,1 \text{ bar for } p \leq 1 \text{ bar}$ $b_1 = 10\% \text{ for } 1 < p \leq 1,4 \text{ bar}$	0,72											
	$b_1 = 10\% \text{ for } p > 1,4 \text{ bar}$	0,78											
L	$b_1 = 0,1 \text{ bar for } p \leq 1 \text{ bar}$ $b_1 = 10\% \text{ for } p > 1 \text{ bar}$	0,50											
Body material: A, C, F, R Type with extended seat (53-1, 54-1, 56-1, 58-1) Nominal pressure: PN16, PN40													
L	$b_1 = 0,1 \text{ bar for } p \leq 1 \text{ bar}$ $b_1 = 10\% \text{ for } p > 1 \text{ bar}$	0,555				0,515							
S/G	$b_1 = 0,1 \text{ bar for } p \leq 1 \text{ bar}$ $b_1 = 10\% \text{ for } p > 1 \text{ bar}$	0,80*											

* An acceptable ratio for vapors and gases for the calculation of bandwidth two-phase flow

DIMENSIONS OF SUPPORTED LUG PN40

Drill of supported lugs only onto client's request

DN	Body material: F All types Nominal pressure: PN40						
	A	B	C	L	E	d	s
	mm						
40x65	180	84	134	65	155	14	10
50x80	210	93	160	70	180	14	12
65x100	245	94	196	70	215	14	12
80x125	300	100	240	90	270	18	15
100x150	320	160	280	130	285	18	15
125x200	365	120	300	90	330	18	15
150x250	415	150	360	120	380	18	15



Data given can be changed without notice.

Edition 01/2018

PRESSURE-TEMPERATURE RATINGS PN16 AND PN40

	PN	-40 (-10*)°C	RT	50 °C	100 °C	150 °C	200 °C	250 °C	300 °C	350 °C	400 °C	
EN-GJL-250	16	bar	16	16	16	14,4	12,8	11,2	9,6			
EN-GJS-400-18-LT	40		40	40	40	38,8	36,8	34,8	32	28		
GP240GH			30	40	40	40	38,1	35	32	28	25,7	23,8
GX5CrNi19-10			38	37,6	35,6	27,6	24,9	22,6	21	19,6		

* The minimum temperature for cast iron valves

Data given can be changed without notice.

Edition 01/2018

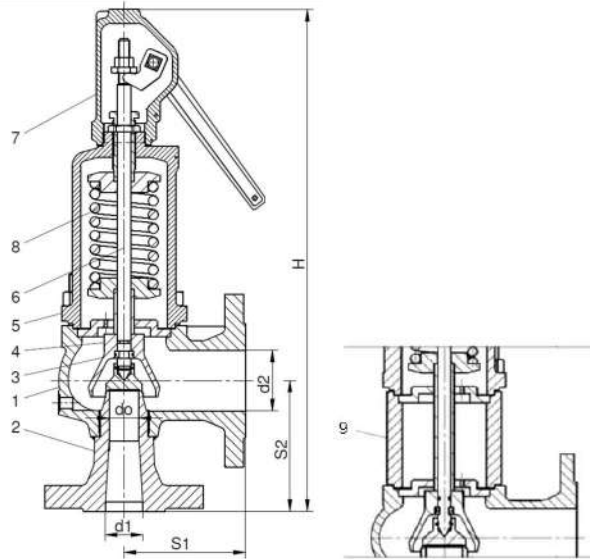
ZETKAMA Sp. z o.o.
 Ul. 3 Maja 12
 PL 57-410 Ścinawka Średnia

Tel. +48 74 8652 193
 Tel. +48 74 8652 111
 Fax +48 74 8652 199

E-mail export@zetskama.com.pl
www.zetskama.com

FIG.630

MATERIALS, DIMENSIONS PN63 AND PN100



	Body material	F	
	Type	standard	with soft seal
		01-1, 02-1, 03-1, 04-1, 05-1, 06-1, 07-1, 08-1	01-2(3), 02-2(3), 03-2(3), 04-2(3), 05-2(3), 06-2(3), 07-2(3), 08-2(3)
1	Body	GP240GH 1.0619	
2	Inlet nozzle	C22, P355N, 13CrMo4-5*, **** 1.0402, 1.0473, 1.7335	
3	Disc	X39CrMo17-1** 1.4122	X6CrNiTi18-10/EPDM or /NBR 1.4541/EPDM or /NBR
4	Bell	EN-GJS-400-15*** 5.3106	
5	Bonnet	GP240GH 1.0619	
6	Spindle	X20Cr13***** 1.4021	
7	Cap	EN-GJS-400-15*** 5.3106	
8	Spring	51CrV4 1.8159	
9	Insert	P245GH 1.0352	----
Temperature range		-40...400°C	-40...120°C EPDM -10...90°C NBR

* Ex.6303 - from DN 125 GP240GH
 ** Ex.6303 - from DN 200 GX5CrNi19-10
 *** Ex.6303 - from DN 200 GP240GH
 **** For temperature under -10°C – nozzle - P355N
 ***** For marine type (05-, 06-, 07-, 08-) spindle - X17CrNi16-2

Data given can be changed without notice.

Edition 01/2018

ZETKAMA Sp. z o.o.
 Ul. 3 Maja 12
 PL 57-410 Ścinawka Średnia

Tel. +48 74 8652 193
 Tel. +48 74 8652 111
 Fax +48 74 8652 199

E-mail export@zetkama.com.pl
 www.zetkama.com

FIG.630



Body material		Type	F													
DN			20x25	25x40	32x50	40x65	50x80	65x100	80x125	100x150	125x200	150x250	200x300	300x400	400x500	
d _o (mm)		630F F	16	20	25	32	40	50	63	77	93	110	155	220	280	
A (mm ²)			201	314	491	804	1257	1964	3117	4657	6793	9503	18870	38010	61575	
S ₁ (mm)			95	100	110	130	145	155	190	210	215	225	265	335	375	
S ₂ (mm)			110	110	115	140	150	160	180	200	220	245	290	370	415	
Flanges drilled PN-EN	inlet		63 (40*)						63 (40*) (25*)			40 (25*)	25			
	outlet		40 (25)								25 (10)	16	10			
H (mm)	without insert		400	420	475	535	650	685	790	940	980	1020	1210	1480	1650	
	with insert		470	495	560	640	760	815	935	----- **						
Pressure at the beginning of bar opening (bar)	min		Standard	38			30			23	18	12	9,5	0,45	0,3	0,25
				62			50			40	32	25	16	10	7	4,5
	max	with soft sealing disc	38			30			23	18						
			62			50			40	32						
Weight (kg)		12,0	14,0	20,0	28,0	40,0	50,0	80,0	130,0	150,0	180,0	300,0	470,0	550,0		

* if the set pressure makes it possible - on client's request
 ** drill of outlet flange for PN 16
 *** type with insert for DN > 80, on client's request
 For temperatures above 350°C, type with insert is recommended.

Body material		Type	F								
DN			25x40	32x50	40x65	50x80	65x100	80x125	100x150		
d _o (mm)		630F G	16	20	25	32	40	50	63		
A (mm ²)			201	314	491	804	1257	1963	3117		
S ₁ (mm)			100	110	130	145	155	190	210		
S ₂ (mm)			120	125	140	150	165	185	200		
Flanges drilled PN-EN	inlet		100							63	
	outlet		40								
H (mm)	without insert		430	485	535	650	685	795	940		
	with insert		505	570	640	760	812	940	----*		
Pressure at the beginning of bar opening (bar)	min		Standard	60			48			38	30
				95			78			62	
	max	with soft sealing disc	60			48			38	30	
			95			78			62		
Weight (kg)		15,0	20,0	28,0	40,0	50,0	80,0	130,0			

* type with insert for DN 100, on client's request
 For temperatures above 350°C, type with insert is recommended.
 Other types of flange drilling on client's request

Data given can be changed without notice.

Edition 01/2018

ZETKAMA Sp. z o.o.
 Ul. 3 Maja 12
 PL 57-410 Ścinawka Średnia

Tel. +48 74 8652 193
 Tel. +48 74 8652 111
 Fax +48 74 8652 199

E-mail export@zetkama.com.pl
 www.zetkama.com

DISCHARGE COEFFICIENTS PN63 I PN100

Media	Range	DN												
		20x25	25x40	32x50	40x65	50x80	65x100	80x125	100x150	125x200	150x250	200x300	300x400	400x500
Body material: F Standard type (01-1, 02-1, 03-1, 04-1, 05-1, 06-1, 07-1, 08-1) Type with soft sealing disc: 01-2(3), 02-2(3), 03-2(3), 04-2(3), 05-2(3), 06-2(3), 07-2(3), 08-2(3) Nominal pressure: PN63, PN100														
S/G	b ₁ = 10%	0,78											-----	
	b ₁ = 0,1 bar for p ≤ 1 bar b ₁ = 10% for 1 < p ≤ 1,4 bar	-----											0,70	0,54
	b ₁ = 10% for p > 1,4 bar	-----											0,74	0,70
L	b ₁ = 10%	0,28											-----	
	b ₁ = 0,1 bar for p ≤ 1 bar b ₁ = 10% for p > 1 bar	-----											0,01	
S/G	b ₁ = 10% type with limited disc leap	0,36											-----	

PRESSURE-TEMPERATURE RATINGS PN63 AND PN100

	PN		-40 ÷ 50°C	100°C	150°C	200°C	250°C	300°C	350°C	400°C
	13CrMo4-5	63	bar	63	63	63	63	63	63	57
	100	100		100	100	100	100	100	90	86

DIMENSIONS OF SUPPORTED LUG PN63 AND PN100

Drill of supported lugs only onto client's request

	Body material: F All type Nominal pressure: PN63 i PN100*							
	DN	A	B	C	L	E	d	s
	mm							
	40x65	186	93	140	70	156	14	12
	50x80	210	95	165		180		
	65x100	250		205		220		
	80x125	295	120	240	90	260	18	15
	100x150	320		265		285		
	125x200	365		300		330		
	150x250	415	150	360	120	380	23	20
	200x300	510	180	450	150	470		
	300x400	695	210	600	180	655		
	400x500	800	230	715	200	760		

* PN100 till DN100x150

Data given can be changed without notice.

Edition 01/2018

ZETKAMA Sp. z o.o.
 Ul. 3 Maja 12
 PL 57-410 Ścinawka Średnia

Tel. +48 74 8652 193
 Tel. +48 74 8652 111
 Fax +48 74 8652 199

E-mail export@zetkama.com.pl
 www.zetkama.com

CAPACITY TABLE FOR AIR

DNxDN PN100	25x40	32x50	40x65	50x80	65x100	80x125	100x150						
DNxDN PN16, PN40, PN63	20x32	25x40	32x50	40x65	50x80	65x100	80x125	100x150	125x200	150x250	200x300	300x400	400x500
A - flight computational area [mm ²]	201	314	491	804	1 257	1 964	3 117	4 657	6 793	9 503	18 870	38 010	61 575
Pressure at the beginning of bar opening bar(g)	Air 20°C [kg/h]												
0,45	185	289	451	739	1156	1806	2866	4281	6245	8737	16866	26208	42457
0,50	193	301	471	771	1205	1883	2988	4464	6512	9110	17587	27328	44270
0,55	200	313	489	801	1252	1956	3105	4639	6766	9466	18274	28396	46001
0,60	207	324	507	830	1297	2027	3217	4806	7010	9807	18933	29419	47659
0,70	221	345	540	884	1382	2160	3428	5121	7470	10450	20174	31348	50783
0,80	234	365	571	935	1461	2283	3624	5414	7898	11049	21330	33144	53693
0,90	246	384	601	984	1538	2404	3815	5699	8314	11630	22452	34889	56519
1,00	258	404	631	1033	1615	2524	4005	5984	8729	12212	23575	36633	59344
1,10	272	425	664	1087	1700	2656	4215	6298	9186	12851	24810	38552	62453
1,20	285	446	697	1141	1785	2788	4425	6611	9644	13491	26045	40471	65562
1,30	299	467	730	1196	1869	2920	4635	6925	10101	14131	27280	42390	68670
1,40	312	488	763	1250	1954	3053	4845	7238	10558	14770	28515	44309	71779
1,60	368	575	898	1471	2300	3593	5703	8521	12429	17387	32755	62412	101105
1,80	397	620	970	1588	2483	3880	6158	9200	13419	18773	35366	67387	109165
2,00	426	666	1042	1706	2667	4166	6612	9879	14410	20159	37977	72362	117224
2,20	456	712	1113	1823	2850	4453	7067	10558	15401	21545	40588	77337	125283
2,40	485	758	1185	1940	3033	4739	7521	11237	16392	22931	43198	82311	133342
2,60	514	803	1256	2057	3216	5026	7976	11917	17382	24317	45809	87286	141401
2,80	544	849	1328	2175	3400	5312	8431	12596	18373	25703	48420	92261	149460
3,00	573	895	1400	2292	3583	5598	8885	13275	19364	27089	51031	97236	157519
3,50	646	1010	1579	2585	4041	6315	10022	14973	21840	30553	57558	109673	177667
4,00	720	1124	1758	2878	4500	7031	11158	16671	24317	34018	64086	122110	197815
4,50	793	1239	1937	3171	4958	7747	12295	18369	26794	37483	70613	134548	217963
5,00	866	1353	2116	3464	5416	8463	13431	20067	29271	40948	77140	146985	
5,50	939	1467	2295	3758	5875	9179	14567	21765	31747	44413	83667	159422	
6,00	1013	1582	2474	4051	6333	9895	15704	23463	34224	47878	90195	171859	

Capacity calculated at overpressure $b_1 = 0,1$ bar or $b_1 = 10\%$
 Calculation for all valve types

Data given can be changed without notice.

Edition 01/2018

ZETKAMA Sp. z o.o.
 Ul. 3 Maja 12
 PL 57-410 Ścinawka Średnia

Tel. +48 74 8652 193
 Tel. +48 74 8652 111
 Fax +48 74 8652 199

E-mail export@zetkama.com.pl
www.zetkama.com

FIG.630



CAPACITY TABLE FOR AIR

DNxDN PN100	25x40	32x50	40x65	50x80	65x100	80x125	100x150						
DNxDN PN16, PN40, PN63	20x32	25x40	32x50	40x65	50x80	65x100	80x125	100x150	125x200	150x250	200x300	300x400	400x500
A - flight computational area [mm ²]	201	314	491	804	1 257	1 964	3 117	4 657	6 793	9 503	18 870	38 010	61 575
Pressure at the beginning of bar opening bar (g)	Air 20°C [kg/h]												
6,50	1086	1696	2653	4344	6791	10611	16840	25161	36701	51342	96722	184296	
7,00	1159	1811	2832	4637	7250	11327	17977	26859	39178	54807	103249	196733	
8,00	1306	2040	3190	5223	8166	12759	20250	30254	44131	61737	116303		
9,00	1452	2269	3548	5810	9083	14191	22523	33650	49085	68666	129358		
10,00	1599	2498	3906	6396	9999	15624	24796	37046	54038	75596	142412		
11,00	1746	2727	4264	6982	10916	17056	27069	40442	58992	82526			
12,00	1892	2956	4622	7568	11833	18488	29342	43838	63945	89455			
14,00	2185	3414	5338	8741	13666	21352	33887	50630	73852	103315			
16,00	2478	3872	6054	9913	15499	24217	38433	57422	83759	117174			
18,00	2772	4330	6770	11086	17332	27081	42979	64214	93666				
20,00	3065	4788	7486	12259	19166	29945	47525	71005	103573				
23,00	3504	5474	8560	14017	21915	34242	54344	81193	118434				
25,00	3798	5932	9276	15190	23749	37106	58890	87985	128341				
30,00	4530	7077	11067	18121	28332	44267	70254	104965					
32,00	4823	7535	11783	19294	30165	47131	74800	111756					
38,00	5703	8909	13931	22812	35665	55724	88438						
40,00	5996	9367	14647	23984	37498	58588	92984						
45,00	6729	10512	16437	26916	42081	65749	104348						
50,00	7462	11657	18227	29847	46664	72910	115713						
55,00	8195	12802	20018	32778	51247	80071	127078						
62,00	9221	14404	22524	36882	57663	90096	142988						
65,00	9660	15091	23598	38641	60413	94392							
70,00	10393	16236	25388	41573	64996	101553							
78,00	11566	18068	28253	46263	72329	113010							
86,00	12738	19900	31117	50953	79662								
95,00	14057	21960	34339	56230	87911								

Capacity calculated at overpressure $b_1 = 0,1$ bar or $b_1 = 10\%$
 Calculation for all valve types

Data given can be changed without notice.

Edition 01/2018

ZETKAMA Sp. z o.o.
 Ul. 3 Maja 12
 PL 57-410 Ścinawka Średnia

Tel. +48 74 8652 193
 Tel. +48 74 8652 111
 Fax +48 74 8652 199

E-mail export@zetkama.com.pl
 www.zetkama.com

CAPACITY TABLE FOR AIR FOR VALVE WITH MEMBRANE

DNxDN PN16, PN40*	20x32	25x40	32x50	40x65	50x80	65x100	80x125	100x150
A - flight computational area [mm ²]	201	314	491	804	1 257	1 964	3 117	4 657
Pressure at the beginning of bar opening bar (g)	Air 20°C [kg/h]							
0,45	185	289	451	739	1156	1806	2866	4281
0,50	193	301	471	771	1205	1883	2988	4464
0,55	200	313	489	801	1252	1956	3105	4639
0,60	207	324	507	830	1297	2027	3217	4806
0,65	214	335	524	857	1341	2095	3324	4967
0,70	221	345	540	884	1382	2160	3428	5121
0,75	227	355	556	910	1423	2223	3527	5270
0,80	234	365	571	935	1461	2283	3624	5414
0,85	240	375	586	959	1500	2344	3719	5557
0,90	246	384	601	984	1538	2404	3815	5699
0,95	252	394	616	1009	1577	2464	3910	5842
1,00	258	404	631	1033	1615	2524	4005	5984
1,10	272	425	664	1087	1700	2656	4215	6298
1,20	285	446	697	1141	1785	2788	4425	6611
1,30	299	467	730	1196	1869	2920	4635	6925
1,40	312	488	763	1250	1954	3053	4845	7238
1,50	353	552	863	1412	2208	3450	5476	8181
1,60	368	575	898	1471	2300	3593	5703	8521
1,70	382	597	934	1530	2392	3737	5930	8860
1,80	397	620	970	1588	2483	3880	6158	9200
1,90	412	643	1006	1647	2575	4023	6385	9539
2,00	426	666	1042	1706	2667	4166	6612	9879
2,20	456	712	1113	1823	2850	4453	7067	10558
2,40	485	758	1185	1940	3033	4739	7521	11237
2,60	514	803	1256	2057	3216	5026	7976	11917
2,80	544	849	1328	2175	3400	5312	8431	12596

* PN40 only for body material F

Capacity calculated at overpressure $b_1 = 0,1$ bar or $b_1 = 10\%$

Data given can be changed without notice.

Edition 01/2018

ZETKAMA Sp. z o.o.
Ul. 3 Maja 12
PL 57-410 Ścinawka Średnia

Tel. +48 74 8652 193
Tel. +48 74 8652 111
Fax +48 74 8652 199

E-mail export@zetkama.com.pl
www.zetkama.com

CAPACITY TABLE FOR AIR FOR VALVE WITH MEMBRANE

DNxDN PN16, PN40*	20x32	25x40	32x50	40x65	50x80	65x100	80x125	100x150
A - flight computational area [mm ²]	201	314	491	804	1 257	1 964	3 117	4 657
Pressure at the beginning of bar opening bar (g)	Air 20°C [kg/h]							
3,00	573	895	1400	2292	3583	5598	8885	13275
3,20	602	941	1471	2409	3766	5885	9340	13954
3,40	632	987	1543	2526	3950	6171	9794	14633
3,60	661	1032	1614	2644	4133	6458	10249	15312
3,80	690	1078	1686	2761	4316	6744	10703	15992
4,00	720	1124	1758	2878	4500	7031	11158	16671
4,50	793	1239	1937	3171	4958	7747	12295	18369
5,00	866	1353	2116	3464	5416	8463	13431	20067
5,50	939	1467	2295	3758	5875	9179	14567	21765
6,00	1013	1582	2474	4051	6333	9895	15704	23463
6,50	1086	1696	2653	4344	6791	10611	16840	25161
7,00	1159	1811	2832	4637	7250	11327	17977	26859
7,50	1233	1925	3011	4930	7708	12043	19113	28557
8,00	1306	2040	3190	5223	8166	12759	20250	30254
8,50	1379	2154	3369	5516	8624	13475	21386	31952
9,00	1452	2269	3548	5810	9083	14191	22523	33650
10,00	1599	2498	3906	6396	9999	15624	24796	37047

* PN40 only for body material F

Capacity calculated at overpressure $b_1 = 0,1$ bar or $b_1 = 10\%$

Data given can be changed without notice.

Edition 01/2018

CAPACITY TABLE FOR WATER

DNxDN PN100	25x40	32x50	40x65	50x80	65x100	80x125	100x150						
DNxDN PN16, PN40, PN63	20x32	25x40	32x50	40x65	50x80	65x100	80x125	100x150	125x200	150x250	200x300	300x400	400x500
A - flight computational area [mm ²]	201	314	491	804	1 257	1 964	3 117	4 657	6 793	9 503	18 870	38 010	61 575
Pressure at the beginning of bar opening bar (g)	Water 20°C [kg/h]												
0,45	71	111	176	290	456	716	1141	1711	2504	3511	7002	14157	22985
0,50	74	117	184	303	477	748	1193	1789	2617	3669	7317	14793	24016
0,55	77	122	191	316	496	779	1243	1863	2725	3821	7619	15403	25005
0,60	80	126	199	328	516	810	1290	1934	2830	3967	7910	15990	25956
0,70	86	135	213	351	552	867	1381	2070	3028	4245	8463	17104	27763
0,80	91	144	226	373	586	920	1466	2198	3214	4506	8981	18151	29460
0,90	96	152	239	394	619	971	1547	2318	3390	4752	9472	19141	31066
1,00	101	160	251	413	650	1019	1624	2433	3558	4987	9939	20083	32594
1,10	106	168	264	434	682	1070	1704	2553	3734	5234	10429	21071	34196
1,20	111	175	276	454	713	1118	1781	2668	3902	5469	10897	22016	35727
1,30	116	183	287	473	742	1165	1855	2779	4063	5695	11346	22922	37196
1,40	121	190	298	491	771	1209	1926	2885	4218	5912	11779	23794	38610
1,60	129	203	319	526	825	1294	2061	3087	4513	6325	12599	25449	41294
1,80	137	216	339	558	876	1374	2188	3277	4790	6712	13370	27004	43815
2,00	145	228	358	589	924	1449	2307	3456	5052	7079	14100	28475	46200
2,20	152	239	376	618	970	1521	2422	3627	5301	7428	14793	29874	48468
2,40	159	250	393	646	1014	1590	2531	3790	5539	7761	15456	31212	50636
2,60	166	260	409	673	1056	1656	2635	3946	5768	8081	16093	32494	52716
2,80	172	270	425	699	1097	1719	2736	4097	5987	8389	16705	33729	54717
3,00	178	280	440	724	1136	1780	2833	4242	6200	8686	17295	34920	56648
3,50	193	303	476	783	1228	1925	3063	4586	6701	9388	18691	37736	61212
4,00	207	324	510	838	1314	2059	3277	4906	7168	10042	19991	40357	65693
4,50	220	345	541	889	1395	2186	3478	5206	7607	10656	21212	42819	69678
5,00	232	364	571	938	1471	2305	3668	5490	8022	11237	22367	45148	
5,50	243	382	599	985	1544	2419	3849	5761	8417	11790	23466	47364	
6,00	254	399	626	1029	1614	2528	4021	6019	8794	12318	24516	49481	

Capacity calculated at overpressure $b_1 = 0,1$ bar or $b_1 = 10\%$

Types:

Standard type (03-1, 04-1, 06-1, 08-1)

Type with soft sealing disc: 03-2(3), 04-2(3), 06-2(3), 08-2(3)

Data given can be changed without notice.

Edition 01/2018

ZETKAMA Sp. z o.o.
Ul. 3 Maja 12
PL 57-410 Ścinawka Średnia

Tel. +48 74 8652 193
Tel. +48 74 8652 111
Fax +48 74 8652 199

E-mail export@zetskama.com.pl
www.zetskama.com

FIG.630



CAPACITY TABLE FOR WATER

DNxDN PN100	25x40	32x50	40x65	50x80	65x100	80x125	100x150						
DNxDN PN16, PN40, PN63	20x32	25x40	32x50	40x65	50x80	65x100	80x125	100x150	125x200	150x250	200x300	300x400	400x500
A - flight computational area [mm ²]	201	314	491	804	1 257	1 964	3 117	4 657	6 793	9 503	18 870	38 010	61 575
Pressure at the beginning of bar opening bar (g)	Water 20°C [kg/h]												
6,50	7654	11957	18698	30617	47867	74790	118697	177341	258681	361879	25524	51694	
7,00	7943	12409	19403	31772	49674	77613	123177	184035	268446	375539	26493	53646	
8,00	8492	13265	20743	33966	53104	82972	131682	196742	286980	401468	28333		
9,00	9007	14070	22001	36027	56325	88005	139670	208676	304389	425821	30062		
10,00	9494	14831	23191	37975	59372	92766	147225	219964	320854	448855	31697		
11,00	9957	15555	24323	39829	62270	97293	154411	230700	336514	470763			
12,00	10400	16247	25405	41600	65039	101620	161277	240959	351478	491696			
14,00	11233	17548	27440	44933	70250	109762	174199	260265	379639	531093			
16,00	12009	18760	29335	48035	75100	117340	186227	278235	405851	567762			
18,00	12737	19898	31115	50949	79656	124458	197523	295113	430470				
20,00	13426	20974	32798	53705	83965	131190	208208	311076	453756				
23,00	14398	22493	35172	57592	90042	140686	223278	333592	486599				
25,00	15011	23450	36669	60044	93875	146675	232784	347794	507314				
30,00	16444	25688	40169	65775	102835	160675	255002	380989					
32,00	16983	26531	41486	67932	106208	165944	263365	393484					
38,00	18507	28911	45208	74028	115737	180833	286995						
40,00	18988	29662	46383	75951	118744	185531	294451						
45,00	20139	31462	49196	80558	125947	196786	312312						
50,00	21229	33163	51858	84915	132760	207430	329206						
55,00	22265	34782	54389	89060	139239	217555	345274						
62,00	23639	36929	57746	94558	147835	230985	366588						
65,00	24205	37812	59127	96818	151369	236507							
70,00	25118	39240	61359	100473	157083	245435							
78,00	26515	41421	64770	106059	165817	259080							
86,00	27841	43494	68011	111366	174113								
95,00	29262	45713	71481	117048	182996								

Capacity calculated at overpressure $b_1 = 0,1$ bar or $b_1 = 10\%$

Types:

Standard type (03-1, 04-1, 06-1, 08-1)

Type with soft sealing disc: 03-2(3), 04-2(3), 06-2(3), 08-2(3)

Data given can be changed without notice.

Edition 01/2018

ZETKAMA Sp. z o.o.
Ul. 3 Maja 12
PL 57-410 Ścinawka Średnia

Tel. +48 74 8652 193
Tel. +48 74 8652 111
Fax +48 74 8652 199

E-mail export@zetskama.com.pl
www.zetskama.com

CAPACITY TABLE FOR WATER FOR VALVE WITH MEMBRANE

DNxDN PN16, PN40*	20x32	25x40	32x50	40x65	50x80	65x100	80x125	100x150
A - flight computational area [mm ²]	201	314	491	804	1 257	1 964	3 117	4 657
Pressure at the beginning of bar opening bar (g)	Water 20°C [kg/h]							
0,45	3791	5922	9260	15163	23707	37041	58787	87831
0,50	3959	6185	9672	15838	24761	38688	61401	91737
0,55	4121	6438	10067	16484	25772	40268	63908	95483
0,60	4277	6681	10447	17107	26745	41788	66320	99087
0,65	4427	6915	10814	17707	27684	43255	68648	102565
0,70	4572	7142	11168	18288	28592	44673	70899	105928
0,75	4713	7362	11512	18851	29472	46048	73081	109188
0,80	4849	7576	11846	19397	30326	47383	75200	112354
0,85	4982	7783	12170	19929	31157	48682	77261	115433
0,90	5112	7985	12487	20446	31967	49946	79268	118432
0,95	5238	8182	12795	20951	32756	51180	81226	121356
1,00	5361	8375	13096	21444	33527	52384	83137	124212
1,10	5623	8784	13735	22491	35163	54941	87195	130275
1,20	5873	9174	14346	23491	36727	57384	91072	136067
1,30	6113	9549	14932	24450	38226	59727	94791	141624
1,40	6343	9909	15495	25373	39670	61982	98369	146970
1,50	6566	10257	16039	26264	41062	64157	101822	152128
1,60	6781	10594	16565	27125	42408	66261	105161	157117
1,70	6990	10920	17075	27960	43714	68300	108397	161953
1,80	7193	11236	17570	28771	44981	70281	111540	166648
1,90	7390	11544	18052	29559	46214	72206	114596	171214
2,00	7582	11844	18521	30327	47414	74082	117573	175662
2,20	7952	12422	19425	31807	49728	77698	123312	184236
2,40	8305	12975	20288	33221	51940	81153	128795	192428
2,60	8645	13504	21117	34578	54060	84467	134054	200286
2,80	8971	14014	21914	35883	56101	87655	139115	207847

* PN40 only for body material F

Capacity calculated at overpressure $b_1 = 0,1$ bar or $b_1 = 10\%$

Data given can be changed without notice.

Edition 01/2018

ZETKAMA Sp. z o.o.
Ul. 3 Maja 12
PL 57-410 Ścinawka Średnia

Tel. +48 74 8652 193
Tel. +48 74 8652 111
Fax +48 74 8652 199

E-mail export@zetkama.com.pl
www.zetkama.com

CAPACITY TABLE FOR WATER FOR VALVE WITH MEMBRANE

DNxDN PN16, PN40*	20x32	25x40	32x50	40x65	50x80	65x100	80x125	100x150
A - flight computational area [mm ²]	201	314	491	804	1 257	1 964	3 117	4 657
Pressure at the beginning of bar opening bar (g)	Water 20°C [kg/h]							
3,00	9286	14506	22683	37143	58070	90732	143997	215142
3,20	9590	14982	23427	38361	59975	93707	148720	222197
3,40	9885	15443	24148	39541	61820	96591	153297	229036
3,60	10172	15891	24848	40688	63613	99392	157741	235676
3,80	10451	16326	25529	41803	65356	102115	162064	242134
4,00	10722	16750	26192	42889	67054	104768	166274	248424
4,50	11373	17766	27781	45490	71121	111123	176360	263494
5,00	11988	18727	29284	47951	74968	117134	185900	277747
5,50	12573	19641	30713	50292	78627	122851	194974	291303
6,00	13132	20515	32079	52528	82124	128314	203643	304256
6,50	13668	21352	33388	54673	85477	133554	211959	316680
7,00	14184	22158	34649	56737	88704	138595	219960	328634
7,50	14682	22936	35865	58728	91817	143460	227680	340169
8,00	15163	23688	37041	60654	94828	148164	235147	351325
8,50	15630	24417	38181	62521	97747	152724	242384	362137
9,00	16083	25125	39288	64333	100581	157152	249411	372636
10,00	16953	26484	41413	67813	106022	165654	262903	392795

* PN40 only for body material F

Capacity calculated at overpressure $b_1 = 0,1$ bar or $b_1 = 10\%$

Data given can be changed without notice.

Edition 01/2018

ZETKAMA Sp. z o.o.
Ul. 3 Maja 12
PL 57-410 Ścinawka Średnia

Tel. +48 74 8652 193
Tel. +48 74 8652 111
Fax +48 74 8652 199

E-mail export@zetkama.com.pl
www.zetkama.com

CAPACITY TABLE FOR WATER FOR VALVE WITH EXTENDED SEAT

DNxDN PN16, PN40	20x32	25x40	32x50	40x65	50x80
A - flight computational area [mm ²]	254	416	661	1075	1662
Pressure at the beginning of bar opening bar (g)	Water 20°C [kg/h]				
0,45	5 317	8 709	13 838	22 505	32 286
0,50	5 554	9 096	14 453	23 505	33 721
0,55	5 781	9 467	15 043	24 465	35 098
0,60	5 999	9 825	15 611	25 389	36 423
0,70	6 413	10 503	16 689	27 142	38 938
0,80	6 802	11 140	17 701	28 788	41 300
0,90	7 170	11 743	18 659	30 345	43 534
1,00	7 520	12 316	19 570	31 827	45 659
1,10	7 887	12 917	20 525	33 380	47 887
1,20	8 238	13 492	21 437	34 864	50 017
1,30	8 574	14 043	22 313	36 288	52 059
1,40	8 898	14 573	23 155	37 658	54 024
1,60	9 512	15 579	24 754	40 258	57 754
1,80	10 089	16 524	26 255	42 700	61 258
2,00	10 635	17 418	27 676	45 009	64 571
2,20	11 154	18 268	29 026	47 206	67 723
2,40	11 650	19 080	30 317	49 305	70 735
2,60	12 126	19 859	31 555	51 319	73 623
2,80	12 583	20 609	32 746	53 256	76 402
3,00	13 025	21 332	33 896	55 125	79 084
3,50	14 069	23 041	36 611	59 542	85 420
4,00	15 040	24 632	39 139	63 653	91 318
4,50	15 952	26 126	41 513	67 514	96 857
5,00	16 815	27 540	43 759	71 166	102 096
5,50	17 636	28 884	45 895	74 640	107 080
6,00	18 420	30 168	47 936	77 959	111 841

Capacity calculated at overpressure $b_1 = 0,1$ bar or $b_1 = 10\%$

Type:

Type with extended seat: (53-1, 54-1, 56-1, 58-1)

Data given can be changed without notice.

Edition 01/2018

ZETKAMA Sp. z o.o.
Ul. 3 Maja 12
PL 57-410 Ścinawka Średnia

Tel. +48 74 8652 193
Tel. +48 74 8652 111
Fax +48 74 8652 199

E-mail export@zetkama.com.pl
www.zetkama.com

CAPACITY TABLE FOR WATER FOR VALVE WITH EXTENDED SEAT

DNxDN PN16, PN40	20x32	25x40	32x50	40x65	50x80
A - flight computational area [mm ²]	254	416	661	1075	1662
Pressure at the beginning of bar opening bar (g)	Water 20°C [kg/h]				
6,50	19 172	31 400	49 893	81 142	116 408
7,00	19 896	32 585	51 776	84 205	120 802
8,00	21 270	34 835	55 351	90 019	129 143
9,00	22 560	36 948	58 709	95 480	136 977
10,00	23 780	38 947	61 885	100 644	144 386
11,00	24 941	40 848	64 905	105 557	151 434
12,00	26 050	42 664	67 791	110 250	158 167
14,00	28 137	46 083	73 223	119 084	170 840
16,00	30 080	49 264	78 278	127 306	182 636
18,00	31 904	52 253	83 027	135 028	193 714
20,00	33 630	55 079	87 518	142 332	204 193
23,00	36 064	59 066	93 853	152 635	218 973
25,00	37 600	61 581	97 848	159 133	228 295

Capacity calculated at overpressure $b_1 = 0,1$ bar or $b_1 = 10\%$

Type:

Type with extended seat: (53-1, 54-1, 56-1, 58-1)

Data given can be changed without notice.

Edition 01/2018

ZETKAMA Sp. z o.o.
Ul. 3 Maja 12
PL 57-410 Ścinawka Średnia

Tel. +48 74 8652 193
Tel. +48 74 8652 111
Fax +48 74 8652 199

E-mail export@zetkama.com.pl
www.zetkama.com

CAPACITY TABLE FOR SATURATED VAPOURS

DNxDN PN100	25x40	32x50	40x65	50x80	65x100	80x125	100x150						
DNxDN PN16, PN40, PN63	20x32	25x40	32x50	40x65	50x80	65x100	80x125	100x150	125x200	150x250	200x300	300x400	400x500
A - flight computational area [mm ²]	201	314	491	804	1 257	1 964	3 117	4 657	6 793	9 503	18 870	38 010	61 575
Pressure at the beginning of bar opening (g)	Saturated vapors [kg/h]												
0,45	115	180	282	461	721	1127	1788	2672	3897	5452	10525	16355	26494
0,50	120	187	293	479	749	1171	1858	2777	4050	5666	10938	16997	27534
0,55	124	194	304	497	777	1214	1927	2879	4199	5875	11342	17624	28550
0,60	129	201	314	514	804	1257	1994	2980	4347	6081	11739	18241	29550
0,70	137	215	336	550	859	1343	2131	3184	4644	6497	12543	19491	31574
0,80	147	230	359	588	919	1436	2280	3406	4968	6950	13417	20849	33775
0,90	158	246	385	630	985	1540	2444	3651	5326	7450	14383	22350	36206
1,00	164	256	401	656	1026	1603	2545	3802	5546	7758	14977	23273	37702
1,10	171	268	419	686	1072	1675	2659	3972	5794	8106	15649	24317	39392
1,20	179	280	437	716	1120	1749	2776	4148	6051	8465	16341	25393	41135
1,30	187	292	457	748	1169	1826	2898	4330	6316	8836	17058	26506	42940
1,40	195	305	476	780	1220	1906	3025	4519	6592	9221	17802	27663	44813
1,60	230	360	562	921	1439	2249	3569	5332	7778	10881	20497	39056	63270
1,80	251	392	613	1004	1569	2452	3891	5813	8480	11863	22347	42581	68981
2,00	268	418	654	1071	1674	2615	4150	6201	9045	12654	23838	45421	73581
2,20	285	445	695	1138	1780	2781	4413	6594	9618	13456	25349	48300	78244
2,40	303	473	739	1210	1892	2956	4691	7009	10224	14303	26944	51340	83170
2,60	322	502	786	1286	2011	3142	4987	7451	10868	15204	28642	54576	88411
2,80	340	532	831	1361	2128	3326	5278	7885	11502	16091	30313	57759	93568
3,00	357	558	872	1428	2233	3489	5537	8273	12067	16881	31802	60596	98164
3,50	402	628	982	1609	2515	3929	6236	9317	13591	19012	35817	68246	110557
4,00	446	697	1090	1784	2790	4359	6918	10336	15077	21092	39734	75710	122647
4,50	492	768	1201	1967	3075	4805	7626	11393	16619	23249	43798	83454	135193
5,00	535	835	1306	2139	3344	5225	8292	12389	18072	25282	47627	90750	
5,50	580	906	1417	2320	3627	5667	8993	13437	19600	27419	51653	98421	
6,00	623	973	1521	2491	3895	6086	9658	14430	21049	29446	55473	105699	

Capacity calculated at overpressure $b_1 = 0,1$ bar or $b_1 = 10\%$

Data given can be changed without notice.

Edition 01/2018

ZETKAMA Sp. z o.o.
Ul. 3 Maja 12
PL 57-410 Ścinawka Średnia

Tel. +48 74 8652 193
Tel. +48 74 8652 111
Fax +48 74 8652 199

E-mail export@zetkama.com.pl
www.zetkama.com

FIG.630

CAPACITY TABLE FOR SATURATED VAPOURS

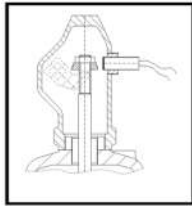
DNxDN PN100	25x40	32x50	40x65	50x80	65x100	80x125	100x150						
DNxDN PN16, PN40, PN63	20x32	25x40	32x50	40x65	50x80	65x100	80x125	100x150	125x200	150x250	200x300	300x400	400x500
A - flight computational area [mm ²]	201	314	491	804	1 257	1 964	3 117	4 657	6 793	9 503	18 870	38 010	61 575
Pressure at the beginning of bar opening (g)	Saturated vapors [kg/h]												
6,50	667	1042	1630	2669	4173	6520	10348	15461	22553	31550	59436	113250	
7,00	711	1110	1736	2843	4445	6945	11021	16467	24019	33602	63301	120615	
8,00	798	1247	1950	3193	4993	7801	12381	18498	26982	37746	71108		
9,00	886	1384	2165	3545	5542	8659	13742	20531	29948	41896	78926		
10,00	974	1521	2378	3894	6089	9513	15098	22558	32904	46031	86716		
11,00	1060	1657	2590	4242	6631	10361	16444	24568	35837	50134			
12,00	1147	1792	2802	4588	7173	11208	17787	26575	38764	54229			
14,00	1321	2063	3227	5283	8260	12906	20483	30603	44639	62447			
16,00	1494	2334	3650	5976	9344	14599	23169	34616	50494	70638			
18,00	1668	2605	4074	6671	10429	16295	25861	38638	56360				
20,00	1842	2877	4499	7366	11517	17995	28559	42669	62239				
23,00	2101	3282	5132	8403	13138	20527	32578	48673	70998				
25,00	2275	3553	5556	9098	14224	22225	35272	52699	76871				
30,00	2711	4235	6622	10843	16953	26488	42038	62808					
32,00	2884	4506	7046	11538	18038	28184	44730	66830					
38,00	3407	5322	8322	13627	21305	33288	52830						
40,00	3583	5597	8752	14331	22406	35008	55560						
45,00	4026	6289	9834	16102	25175	39334	62426						
50,00	4462	6971	10900	17848	27905	43600	69196						
55,00	4913	7675	12001	19651	30723	48003	76184						
62,00	5532	8643	13515	22130	34598	54058	85794						
65,00	5795	9053	14156	23181	36242	56626							
70,00	6247	9758	15259	24986	39064	61036							
78,00	6971	10891	17029	27885	43597	68118							
86,00	7698	12026	18806	30794	48144								
95,00	8540	13341	20862	34161	53408								

Capacity calculated at overpressure $b_1 = 0,1$ bar or $b_1 = 10\%$

Data given can be changed without notice.

Edition 01/2018

OPTIONS



Type with inductive sensor with operation alert

Operation range:
depending on the type and diameter of the valve

Supply voltage:
10 ÷ 30 V [DC]

Degree of protection:
IP67, IP68 (depending on sensor type)

Operating temperature:
-25 ÷ 70°C

Other upon agreement with the manufacturer

Standard cable length
2000 mm



The product meets the requirements of the following standards

PN-EN 1127:1:2011
PN-EN 13463-1:2011
PN-EN 13463-1:2010

The product is labelled:



NOTE:

ATEX type does not include valves with soft tightening for disc



Standard flanges valves are drilled according to standards

PN-EN 1092-1 cast steel
PN-EN 1092-2 cast iron

Upon client's request, it is possible to make flange drillings according to ANSI standards or according to European standards other than basic ones (after consultation with the manufacturer)

ATTENTION

- In the case of when condensate forms, provide drainage in the lowest spot of blow-out installation. Drainage in the body valve is made only upon request of the customer. For liquids, blow-out installation should be made in a tilted way.
- Valves should be mounted in a vertical position.

Data given can be changed without notice.

Edition 01/2018

TYPE

Figure	Body material	Nominal diameter	Nominal pressure	Type	Notified unit
630	A Grey cast iron EN-GJL-250	20-150 mm	C 16 bar	01-1 normal type for gases and vapors; sealing metal/metal	CE 0045
		20-150 mm	C 16 bar	02-1 gas tight type for gases and vapors; sealing metal/metal	CE 0045
		20-150 mm	C 16 bar	03-1 type with limited disc leap for liquids; sealing metal/metal	CE 1433
		20-150 mm	C 16 bar	04-1 type with limited disc leap for liquids, gases and vapors, sealing metal/metal	CE 1433
		20-150 mm	C 16 bar	05-1 marine type for gases and vapors, sealing metal/metal	CE 0045
		20-150 mm	C 16 bar	06-1 marine type with limited disc leap for liquids, gases and vapors, sealing metal/metal	CE 1433
		20-150 mm	C 16 bar	07-1 marine type, gas-tight for gases and vapors, sealing metal/metal	CE 0045
		20-150 mm	C 16 bar	08-1 marine type, gas-tight with limited disc leap for liquids, gases and vapors sealing metal/metal	CE 1433
		20-50 mm	C 16 bar	53-1 type with extended seat for liquids; sealing metal/metal	CE 1433
		20-50 mm	C 16 bar	54-1 type with extended seat gas-tight for liquids, sealing metal/metal	CE 1433
		20-50 mm	C 16 bar	56-1 type with extended seat, marine for liquids sealing metal/metal	CE 1433
		20-50 mm	C 16 bar	58-1 type with extended seat gas-tight, marine, for liquids sealing metal/metal	CE 1433
		20-100 mm	C 16 bar	01-2 normal type for gases and vapours; sealing NBR	CE 0045
		20-100 mm	C 16 bar	02-2 gas tight type for gases and vapours; sealing NBR	CE 0045
		20-100 mm	C 16 bar	03-2 type with limited disc leap for liquids; sealing NBR	CE 1433
		20-100 mm	C 16 bar	04-2 type with limited disc leap for liquids, gases and vapours, sealing NBR	CE 1433
		20-100 mm	C 16 bar	05-2 marine type for gases and vapours, sealing NBR	CE 0045
		20-100 mm	C 16 bar	06-2 marine type with limited disc leap for liquids, gases and vapours, sealing NBR	CE 1433
		20-100 mm	C 16 bar	07-2 marine type, gas-tight for gases and vapours, sealing NBR	CE 0045
		20-100 mm	C 16 bar	08-2 marine type, gas-tight with limited disc leap for liquids, gases and vapours sealing NBR	CE 1433
		20-100 mm	C 16 bar	01-3 normal type for gases and vapours; sealing EPDM	CE 0045
		20-100 mm	C 16 bar	02-3 gas tight type for gases and vapours; sealing EPDM	CE 0045
		20-100 mm	C 16 bar	03-3 type with limited disc leap for liquids; sealing EPDM	CE 1433

Data given can be changed without notice.

Edition 01/2018

FIG.630



630	C Nodular cast iron EN-GJS-400-18-LT	20-100 mm	C 16 bar	04-3 type with limited disc leap for liquids, gases and vapours, sealing EPDM	CE 1433
		20-100 mm	C 16 bar	05-3 marine type for gases and vapours, sealing EPDM	CE 0045
		20-100 mm	C 16 bar	06-3 marine type with limited disc leap for liquids, gases and vapours, sealing EPDM	CE 1433
		20-100 mm	C 16 bar	07-3 marine type, gas-tight for gases and vapours, sealing EPDM	CE 0045
		20-100 mm	C 16 bar	08-3 marine type, gas-tight with limited disc leap for liquids, gases and vapours sealing EPDM	CE 1433
		20-100 mm	C 16 bar	01-4 normal type for liquids, gases and vapours, membrane, sealing EPDM	CE 0045
		20-100 mm	E 40 bar	01-1 normal type for gases and vapours; sealing metal/metal	CE 0045
		20-100 mm	E 40 bar	02-1 gas tight type for gases and vapours; sealing metal/metal	CE 0045
		20-100 mm	E 40 bar	03-1 type with limited disc leap for liquids; sealing metal/metal	CE 0045
		20-100 mm	E 40 bar	04-1 type with limited disc leap for liquids, gases and vapours, sealing metal/metal	CE 0045
		20-100 mm	E 40 bar	05-1 marine type for gases and vapours, sealing metal/metal	CE 0045
		20-100 mm	E 40 bar	06-1 marine type with limited disc leap for liquids, gases and vapours, sealing metal/metal	CE 0045
		20-100 mm	E 40 bar	07-1 marine type, gas-tight for gases and vapours, sealing metal/metal	CE 0045
		20-100 mm	E 40 bar	08-1 marine type, gas-tight with limited disc leap for liquids, gases and vapours sealing metal/metal	CE 0045
		20-50 mm	E 40 bar	53-1 type with extended seat for liquids; sealing metal/metal	CE 1433
		20-50 mm	E 40 bar	54-1 type with extended seat gas-tight for liquids, sealing metal/metal	CE 1433
		20-50 mm	E 40 bar	56-1 type with extended seat, marine for liquids sealing metal/metal	CE 1433
		20-50 mm	E 40 bar	58-1 type with extended seat gas-tight, marine, for liquids sealing metal/metal	CE 1433
		20-100 mm	E 40 bar	01-2 normal type for gases and vapours; sealing NBR	CE 0045
		20-100 mm	E 40 bar	02-2 gas tight type for gases and vapours; sealing NBR	CE 0045
		20-100 mm	E 40 bar	03-2 type with limited disc leap for liquids; sealing NBR	CE 0045
		20-100 mm	E 40 bar	04-2 type with limited disc leap for liquids, gases and vapours, sealing NBR	CE 0045
		20-100 mm	E 40 bar	05-2 marine type for gases and vapours, sealing NBR	CE 0045
		20-100 mm	E 40 bar	06-2 marine type with limited disc leap for liquids, gases and vapours, sealing NBR	CE 0045
		20-100 mm	E 40 bar	07-2 marine type, gas-tight for gases and vapours, sealing NBR	CE 0045
		20-100 mm	E 40 bar	08-2 marine type, gas-tight with limited disc leap for liquids, gases and vapours sealing NBR	CE 0045

Data given can be changed without notice.

Edition 01/2018

ZETKAMA Sp. z o.o.
Ul. 3 Maja 12
PL 57-410 Ścinawka Średnia

Tel. +48 74 8652 193
Tel. +48 74 8652 111
Fax +48 74 8652 199

E-mail export@zetskama.com.pl
www.zetskama.com

FIG.630

	20-100 mm	E 40 bar	01-3 normal type for gases and vapours; sealing EPDM	CE 0045	
	20-100 mm	E 40 bar	02-3 gas tight type for gases and vapours; sealing EPDM	CE 0045	
	20-100 mm	E 40 bar	03-3 type with limited disc leap for liquids; sealing EPDM	CE 0045	
	20-100 mm	E 40 bar	04-3 type with limited disc leap for liquids, gases and vapours, sealing EPDM	CE 0045	
	20-100 mm	E 40 bar	05-3 marine type for gases and vapours, sealing EPDM	CE 0045	
	20-100 mm	E 40 bar	06-3 marine type with limited disc leap for liquids, gases and vapours, sealing EPDM	CE 0045	
	20-100 mm	E 40 bar	07-3 marine type, gas-tight for gases and vapours, sealing EPDM	CE 0045	
	20-100 mm	E 40 bar	08-3 marine type, gas-tight with limited disc leap for liquids, gases and vapours sealing EPDM	CE 0045	
630	F Cast steel GP240GH	20-150 mm	E 40 bar	01-1 normal type for gases and vapours; sealing metal/metal	CE 0045
		20-150 mm	E 40 bar	02-1 gas tight type for gases and vapours; sealing metal/metal	CE 0045
		20-150 mm	E 40 bar	03-1 type with limited disc leap for liquids; sealing metal/metal	CE 1433
		20-150 mm	E 40 bar	04-1 type with limited disc leap for liquids, gases and vapours, sealing metal/metal	CE 1433
		20-150 mm	E 40 bar	05-1 marine type for gases and vapours, sealing metal/metal	CE 0045
		20-150 mm	E 40 bar	06-1 marine type with limited disc leap for liquids, gases and vapours, sealing metal/metal	CE 1433
		20-150 mm	E 40 bar	07-1 marine type, gas-tight for gases and vapours, sealing metal/metal	CE 0045
		20-150 mm	E 40 bar	08-1 marine type, gas-tight with limited disc leap for liquids, gases and vapours sealing metal/metal	CE 1433
		20-50 mm	E 40 bar	53-1 type with extended seat for liquids; sealing metal/metal	CE 1433
		20-50 mm	E 40 bar	54-1 type with extended seat gas-tight for liquids, sealing metal/metal	CE 1433
		20-50 mm	E 40 bar	56-1 type with extended seat, marine for liquids sealing metal/metal	CE 1433
		20-50 mm	E 40 bar	58-1 type with extended seat gas-tight, marine, for liquids sealing metal/metal	CE 1433
		20-100 mm	E 40 bar	01-2 normal type for gases and vapours; sealing NBR	CE 0045
		20-100 mm	E 40 bar	02-2 gas tight type for gases and vapours; sealing NBR	CE 0045
		20-100 mm	E 40 bar	03-2 type with limited disc leap for liquids; sealing NBR	CE 1433
		20-100 mm	E 40 bar	04-2 type with limited disc leap for liquids, gases and vapours, sealing NBR	CE 1433
20-100 mm	E 40 bar	05-2 marine type for gases and vapours, sealing NBR	CE 0045		
20-100 mm	E 40 bar	06-2 marine type with limited disc leap for liquids, gases and vapours, sealing NBR	CE 1433		

Data given can be changed without notice.

Edition 01/2018

FIG.630



	20-100 mm	E 40 bar	07-2 marine type, gas-tight for gases and vapours, sealing NBR	CE 0045
	20-100 mm	E 40 bar	08-2 marine type, gas-tight with limited disc leap for liquids, gases and vapours sealing NBR	CE 1433
	20-100 mm	E 40 bar	01-3 normal type for gases and vapours; sealing EPDM	CE 0045
	20-100 mm	E 40 bar	02-3 gas tight type for gases and vapours; sealing EPDM	CE 0045
	20-100 mm	E 40 bar	03-3 type with limited disc leap for liquids; sealing EPDM	CE 1433
	20-100 mm	E 40 bar	04-3 type with limited disc leap for liquids, gases and vapours, sealing EPDM	CE 1433
	20-100 mm	E 40 bar	05-3 marine type for gases and vapours, sealing EPDM	CE 0045
	20-100 mm	E 40 bar	06-3 marine type with limited disc leap for liquids, gases and vapours, sealing EPDM	CE 1433
	20-100 mm	E 40 bar	07-3 marine type, gas-tight for gases and vapours, sealing EPDM	CE 0045
	20-100 mm	E 40 bar	08-3 marine type, gas-tight with limited disc leap for liquids, gases and vapours sealing EPDM	CE 1433
	20-100 mm	E 40 bar	01-4 normal type for liquids, gases and vapours, membrane, sealing EPDM	CE 1433
630		F Cast steel GP240GH		
	20-400 mm	F 63 bar	01-1 normal type for gases and vapours; sealing metal/metal	CE 0045
	20-400 mm	F 63 bar	02-1 gas tight type for gases and vapours; sealing metal/metal	CE 0045
	20-400 mm	F 63 bar	03-1 type with limited disc leap for liquids; sealing metal/metal	CE 1433
	20-400 mm	F 63 bar	04-1 type with limited disc leap for liquids, gases and vapours, sealing metal/metal	CE 1433
	20-400 mm	F 63 bar	05-1 marine type for gases and vapours, sealing metal/metal	CE 0045
	20-400 mm	F 63 bar	06-1 marine type with limited disc leap for liquids, gases and vapours, sealing metal/metal	CE 1433
	20-400 mm	F 63 bar	07-1 marine type, gas-tight for gases and vapours, sealing metal/metal	CE 0045
	20-400 mm	F 63 bar	08-1 marine type, gas-tight with limited disc leap for liquids, gases and vapours sealing metal/metal	CE 1433
	20-100 mm	F 63 bar	01-2 normal type for gases and vapours; sealing NBR	CE 1433
	20-100 mm	F 63 bar	02-2 gas tight type for gases and vapours; sealing NBR	CE 1433
	20-100 mm	F 63 bar	03-2 type with limited disc leap for liquids; sealing NBR	CE 1433
	20-100 mm	F 63 bar	04-2 type with limited disc leap for liquids, gases and vapours, sealing NBR	CE 1433
	20-100 mm	F 63 bar	05-2 marine type for gases and vapours, sealing NBR	CE 1433
	20-100 mm	F 63 bar	06-2 marine type with limited disc leap for liquids, gases and vapours, sealing NBR	CE 1433
	20-100 mm	F 63 bar	07-2 marine type, gas-tight for gases and vapours, sealing NBR	CE 1433

Data given can be changed without notice.

Edition 01/2018

ZETKAMA Sp. z o.o.
Ul. 3 Maja 12
PL 57-410 Ścinawka Średnia

Tel. +48 74 8652 193
Tel. +48 74 8652 111
Fax +48 74 8652 199

E-mail export@zetkama.com.pl
www.zetkama.com

FIG.630



		20-100 mm	F 63 bar	marine type, gas-tight with limited disc leap for liquids, gases and vapours sealing NBR	08-2	CE 1433
		20-100 mm	F 63 bar	normal type for gases and vapours; sealing EPDM	01-3	CE 1433
		20-100 mm	F 63 bar	gas tight type for gases and vapours; sealing EPDM	02-3	CE 1433
		20-100 mm	F 63 bar	type with limited disc leap for liquids; sealing EPDM	03-3	CE 1433
		20-100 mm	F 63 bar	type with limited disc leap for liquids, gases and vapours, sealing EPDM	04-3	CE 1433
		20-100 mm	F 63 bar	marine type for gases and vapours, sealing EPDM	05-3	CE 1433
		20-100 mm	F 63 bar	marine type with limited disc leap for liquids, gases and vapours, sealing EPDM	06-3	CE 1433
		20-100 mm	F 63 bar	marine type, gas-tight for gases and vapours, sealing EPDM	07-3	CE 1433
		20-100 mm	F 63 bar	marine type, gas-tight with limited disc leap for liquids, gases and vapours sealing EPDM	08-3	CE 1433
630	G Cast steel GX5CrNi19-10	25-100 mm	G 100 bar	normal type for gases and vapours; sealing metal/metal	01-1	CE 1433
		25-100 mm	G 100 bar	gas tight type for gases and vapours; sealing metal/metal	02-1	CE 1433
		25-100 mm	G 100 bar	type with limited disc leap for liquids; sealing metal/metal	03-1	CE 1433
		25-100 mm	G 100 bar	type with limited disc leap for liquids, gases and vapours, sealing metal/metal	04-1	CE 1433
		25-100 mm	G 100 bar	marine type for gases and vapours, sealing metal/metal	05-1	CE 1433
		25-100 mm	G 100 bar	marine type with limited disc leap for liquids, gases and vapours, sealing metal/metal	06-1	CE 1433
		25-100 mm	G 100 bar	marine type, gas-tight for gases and vapours, sealing metal/metal	07-1	CE 1433
		25-100 mm	G 100 bar	marine type, gas-tight with limited disc leap for liquids, gases and vapours sealing metal/metal	08-1	CE 1433
		25-100 mm	G 100 bar	normal type for gases and vapours; sealing NBR	01-2	CE 1433
		25-100 mm	G 100 bar	gas tight type for gases and vapours; sealing NBR	02-2	CE 1433
		25-100 mm	G 100 bar	type with limited disc leap for liquids; sealing NBR	03-2	CE 1433
		25-100 mm	G 100 bar	type with limited disc leap for liquids, gases and vapours, sealing NBR	04-2	CE 1433
		25-100 mm	G 100 bar	marine type for gases and vapours, sealing NBR	05-2	CE 1433
		25-100 mm	G 100 bar	marine type with limited disc leap for liquids, gases and vapours, sealing NBR	06-2	CE 1433
		25-100 mm	G 100 bar	marine type, gas-tight for gases and vapours, sealing NBR	07-2	CE 1433
		25-100 mm	G 100 bar	marine type, gas-tight with limited disc leap for liquids, gases and vapours sealing NBR	08-2	CE 1433
		25-100 mm	G 100 bar	normal type for gases and vapours; sealing EPDM	01-3	CE 1433

Data given can be changed without notice.

Edition 01/2018

ZETKAMA Sp. z o.o.
Ul. 3 Maja 12
PL 57-410 Ścinawka Średnia

Tel. +48 74 8652 193
Tel. +48 74 8652 111
Fax +48 74 8652 199

E-mail export@zetkama.com.pl
www.zetkama.com

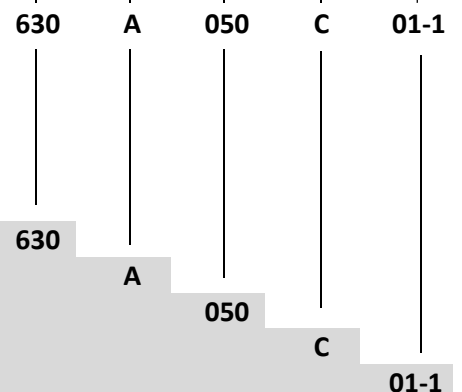
FIG.630

		25-100 mm	G 100 bar	02-3 gas tight type for gases and vapours; sealing EPDM	CE 1433
		25-100 mm	G 100 bar	03-3 type with limited disc leap for liquids; sealing EPDM	CE 1433
		25-100 mm	G 100 bar	04-3 type with limited disc leap for liquids, gases and vapours, sealing EPDM	CE 1433
		25-100 mm	G 100 bar	05-3 marine type for gases and vapours, sealing EPDM	CE 1433
		25-100 mm	G 100 bar	06-3 marine type with limited disc leap for liquids, gases and vapours, sealing EPDM	CE 1433
		25-100 mm	G 100 bar	07-3 marine type, gas-tight for gases and vapours, sealing EPDM	CE 1433
		25-100 mm	G 100 bar	08-3 marine type, gas-tight with limited disc leap for liquids, gases and vapours sealing EPDM	CE 1433
630	R Acid resistant steel GX5CrNi19-10	20-100 mm	E 40 bar	02-1 gas tight type for gases and vapours; sealing metal/metal	CE 0045
		20-100 mm	E 40 bar	04-1 type with limited disc leap for liquids, gases and vapours, sealing metal/metal	CE 1433
		20-50 mm	E 40 bar	54-1 type with extended seat gas-tight for liquids, sealing metal/metal	CE 1433

ORDERING

Figure	Body material	Nominal diameter	Nominal pressure	Type
630	A Grey cast iron EN-GJL-250	20-150 mm	C 16 bar	01-1 normal type for gases and vapours; sealing metal/metal

Order example by index



Full lift safety valve, flanged ends , angle form
 Grey cast iron EN-GJL-250
 Nominal diameter (mm)
 Nominal pressure PN 16
 Normal type for gases and vapours; sealing metal/metal

Data given can be changed without notice.

Edition 01/2018