

# GEMÜ B26

## Manually operated compact flanged ball valve



### Features

- High flow rates
- Full-flow bore
- Compact design
- ATEX version available as an option

---

### Description

The GEMÜ B26 metal one-piece 2/2-way ball valve has a plastic sleeved hand lever. The seat seal is made of PTFE.

### Technical specifications

- Media temperature: -20 to 180 °C
- Ambient temperature: -20 to 60 °C
- Operating pressure : 0 to 40 bar
- Nominal sizes: DN 15 to 100
- Body configurations: 2/2-way body
- Connection types: Flange
- Connection standards: ANSI | EN
- Body materials: 1.4408, investment casting material
- Seal materials: PTFE
- Conformities: ATEX

Technical data depends on the respective configuration



## Product line



GEMÜ BB06



GEMÜ B26



GEMÜ B46



GEMÜ B56

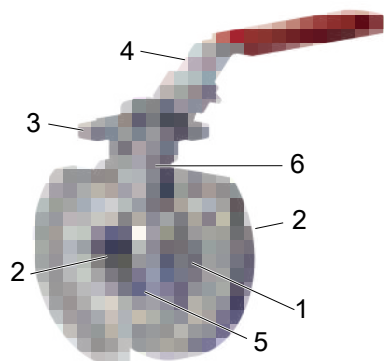
### Operation

With bare shaft	●	-	-	-
Manual	-	●	-	-
Pneumatic	-	-	●	-
Motorized	-	-	-	●
<b>Nominal sizes</b>	DN 15 to 100	DN 15 to 100	DN 15 to 100	DN 15 to 100
<b>Media temperature</b>	-20 to 180 °C	-20 to 180 °C	-20 to 180 °C	-20 to 180 °C
<b>Operating pressure</b>	0 to 40 bar	0 to 40 bar	0 to 40 bar	0 to 40 bar
<b>Connection types</b>				
Flange	●	●	●	●

\* depending on version and/or operating parameters

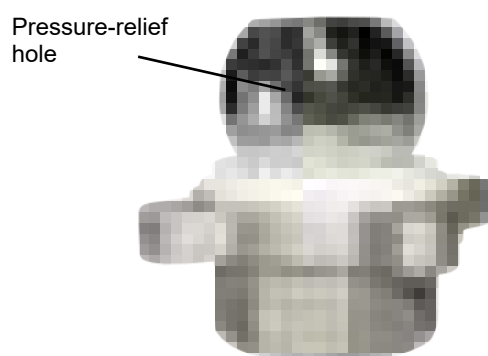
## Product description

### Construction



Item	Name	Materials
1	Ball valve body	1.4408 / CF8M
2	Pipe connections	1.4408 / CF8M
3	Mounting flange ISO 5211	1.4408 / CF8M
4	Hand lever	1.4408 / CF8M
5	Seal	PTFE
6	Antistatic unit	1.4408

### Pressure-relief hole



### Control ball

Control ball	Code U	Code Y	Code W

Note: The control ball cannot be retrofitted to standard 2/2-way bodies at a later date.

## GEMÜ CONEXO

The interaction of valve components that are equipped with RFID chips and an associated IT infrastructure actively increase process reliability.



Thanks to serialization, every valve and every relevant valve component such as the body, actuator or diaphragm, and even automation components, can be clearly traced and read using the CONEXO pen RFID reader. The CONEXO app, which can be installed on mobile devices, not only facilitates and improves the "installation qualification" process, but also makes the maintenance process much more transparent and easier to document. The app actively guides the maintenance technician through the maintenance schedule and directly provides him with all the information assigned to the valve, such as test reports, testing documentation and maintenance histories. The CONEXO portal acts as a central element, helping to collect, manage and process all data.

**For further information on GEMÜ CONEXO please visit:**

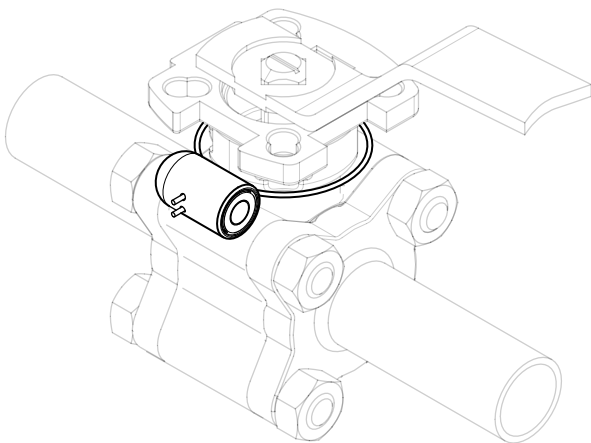
[www.gemu-group.com/conexo](http://www.gemu-group.com/conexo)

### Ordering

GEMÜ Conexo must be ordered separately with the ordering option "CONEXO" (see order data).

### Installing the RFID chip

In the corresponding design with CONEXO, this product has an RFID chip (1) for electronic recognition. The position of the RFID chip can be seen below.



## Application

- Heating systems
- Beverage industry
- Foodstuff industry
- Chemical industry
- Drinking water installations
- Processing industry
- HVAC

## Order data

The order data provide an overview of standard configurations.

Please check the availability before ordering. Other configurations available on request.

### Order codes

1 Type	Code
Ball valve, metal, manually operated, one-piece, compact flange, ISO 5211, top flange, lockable hand lever	B26

2 DN	Code
DN 15	15
DN 20	20
DN 25	25
DN 32	32
DN 40	40
DN 50	50
DN 65	65
DN 80	80
DN 100	100

3 Body/ball configuration	Code
2/2-way body	D
2/2-way body, V-ball 30° (for Kv value see datasheet)	U
2/2-way body, V-ball 60° (for Kv value see datasheet)	Y
2/2-way body, V-ball 90° (for Kv value see datasheet)	W

4 Connection type	Code
Flange ANSI Class 125/150 RF	39
Flange EN 1092, PN 16/PN40, form B DN 15 to DN 80, flange EN 1092, PN 16, form B DN 100 only	68

5 Ball valve material	Code
1.4408 / CF8M (body, connection), 1.4401 / SS316 (ball, shaft)	37

6 Seal material	Code
PTFE	5

7 Control function	Code
Manually operated, hand lever, lockable	L

8 Special version	Code
without	
ATEX certification	X

9 CONEXO	Code
without	
Integrated RFID chip for electronic identification and traceability	C

### Order example

Order option	Code	Description
1 Type	B26	Ball valve, metal, manually operated, one-piece, compact flange, ISO 5211, top flange, lockable hand lever
2 DN	25	DN 25
3 Body/ball configuration	D	2/2-way body
4 Connection type	39	Flange ANSI Class 125/150 RF
5 Ball valve material	37	1.4408 / CF8M (body, connection), 1.4401 / SS316 (ball, shaft)
6 Seal material	5	PTFE
7 Control function	L	Manually operated, hand lever, lockable
8 Special version		without
9 CONEXO		without Integrated RFID chip for electronic identification and traceability

## Technical data

### Medium

**Working medium:** Corrosive, inert, gaseous and liquid media and steam which have no negative impact on the physical and chemical properties of the body and seal material.

### Temperature

**Media temperature:** -20 to 180 °C

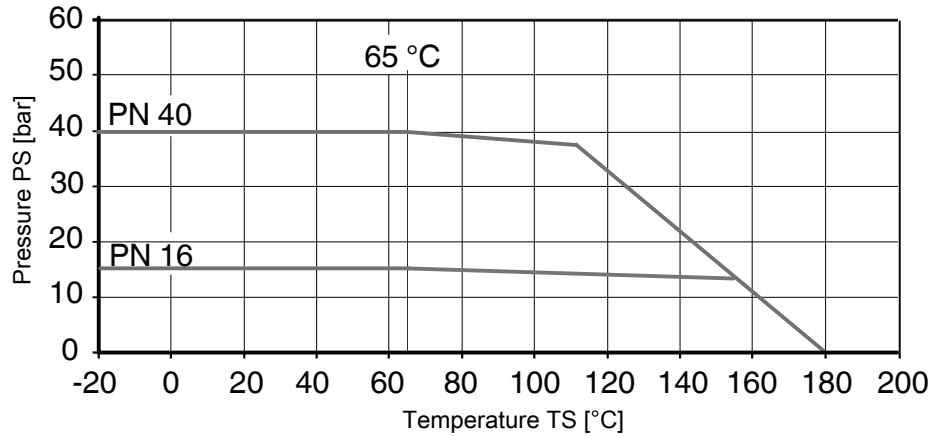
**Ambient temperature:** -20 to 60 °C  
Higher temperatures on request

**Storage temperature:** 0 to 40 °C

### Pressure

**Leakage rate:** Leakage rate according to ANSI FCI70 – B16.104  
Leakage rate according to EN12266, 6 bar air, leakage rate A

**Pressure/temperature diagram:**



**Pressure rating:** DN 15 – 50: PN40  
DN 65 – 100: PN16

**Kv values:**

DN	NPS	Kv values
15	1/2"	12.8
20	3/4"	29.1
25	1"	47.8
32	1¼"	2.6
40	1½"	0.2
50	2"	213.7
65	2½"	273.3
80	3"	495.3
100	4"	871.1

Kv values in m³/h

**Kv values:**

**V-ball 30° (code U)**

DN	NPS	Opening angle										
		0	15%	20%	30%	40%	50%	60%	70%	80%	90%	100%
15	1/2"	0	0.085	0.085	0.17	0.255	0.425	0.68	0.935	1.36	1.87	2.21
20	3/4"	0	0.085	0.17	0.425	0.595	0.935	1.53	2.04	2.805	3.825	4.59
25	1"	0	0.085	0.255	0.68	1.105	1.955	2.975	4.335	8.33	7.225	8.5
32	1¼"	0	0.17	0.34	0.935	1.7	3.145	4.675	6.8	8.5	11.05	12.75
40	1½"	0	0.255	0.51	1.36	2.55	4.25	6.375	9.35	11.9	14.45	17
50	2"	0	0.34	1.02	3.23	5.1	8.5	12.75	19.55	26.35	36.55	51
65	2½"	0	0.34	0.85	3.4	6.8	10.2	15.3	23.8	31.45	52.7	63.75
80	3"	0	0.425	1.02	3.4	6.8	11.9	19.55	28.05	39.1	55.25	69.7
100	4"	0	0.51	1.7	5.1	12.75	24.65	40.8	60.35	85	110.5	135.2

Kv values in m³/h

**V-ball 60° (code V)**

DN	NPS	Opening angle										
		0	15%	20%	30%	40%	50%	60%	70%	80%	90%	100%
15	1/2"	0	0.085	0.085	0.255	0.425	0.765	1.19	1.7	2.805	3.74	5.1
20	3/4"	0	0.085	0.17	0.595	0.85	1.445	2.38	3.4	5.525	7.65	10.2
25	1"	0	0.17	0.34	0.935	1.53	2.89	4.505	6.715	10.46	13.01	17.85
32	1¼"	0	0.17	0.51	1.53	2.55	4.675	8.075	10.88	16.15	22.1	33.15
40	1½"	0	0.34	0.68	2.125	3.4	6.8	11.05	16.15	22.95	34	44.2
50	2"	0	0.34	1.275	3.91	7.65	14.03	22.95	33.15	46.75	70.55	93.5
65	2½"	0	0.34	1.275	4.25	8.5	17.85	28.9	45.05	63.75	87.55	127.5
80	3"	0	0.425	2.125	5.1	11.9	21.25	34	55.25	77.35	108.8	140.3
100	4"	0	0.595	2.55	9.35	21.25	34	50.15	76.5	119.9	180.2	302.6

Kv values in m³/h

**V-ball 90° (code W)**

DN	NPS	Opening angle										
		0	15%	20%	30%	40%	50%	60%	70%	80%	90%	100%
15	1/2"	0	0.085	0.17	0.34	0.51	0.765	1.275	1.87	3.23	4.59	5.865
20	3/4"	0	0.17	0.34	0.68	1.02	1.7	2.635	3.91	6.8	9.605	11.9
25	1"	0	0.17	0.51	1.53	2.89	4.335	6.885	9.69	13.6	17.85	24.65
32	1¼"	0	0.255	0.68	1.7	4.25	6.8	11.9	16.15	23.8	33.15	46.75
40	1½"	0	0.425	0.765	2.975	5.95	11.05	17	26.35	35.7	53.55	66.3
50	2"	0	0.595	1.7	5.1	10.2	18.7	29.75	38.25	59.5	89.25	114.8
65	2½"	0	0.425	1.445	5.95	11.9	23.8	40.8	59.5	90.1	136	185.3
80	3"	0	0.595	2.975	6.8	15.3	29.75	51	76.5	114.8	174.3	263.5
100	4"	0	0.85	2.975	13.6	34	63.75	106.3	161.5	250.8	375.7	569.5



Kv values in m³/h



## Product conformities

**Pressure Equipment Directive:** 2014/68/EU

**Explosion protection:** ATEX (2014/34/EU) and IECEx, order code Special version X

**ATEX marking:**

**Up to DN 65**  
 Gas:  II 2G Ex h IIC T6 ... T2 Gb X  
 Dust:  II -/2D Ex h -/IIIC T180 °C -/Db X

**DN 80 and 100**  
 Gas:  II 2G Ex h IIB T6 ... T2 Gb X  
 Dust:  II -/2D Ex h -/IIIC T180 °C -/Db X

## Mechanical data

**Torques:**

DN	NPS	Breakaway torque
15	1/2"	7
20	3/4"	8
25	1"	10
32	1¼"	14
40	1½"	29
50	2"	58
65	2½"	62
80	3"	120
100	4"	174

Torques in Nm

**Weight:**

**Ball valve**

DN	NPS	Weight
15	1/2"	1.3
20	3/4"	2.0
25	1"	2.8
32	1¼"	4.2
40	1½"	5.3
50	2"	6.7
65	2½"	11.9
80	3"	14.9
100	4"	20.4

Weights in kg



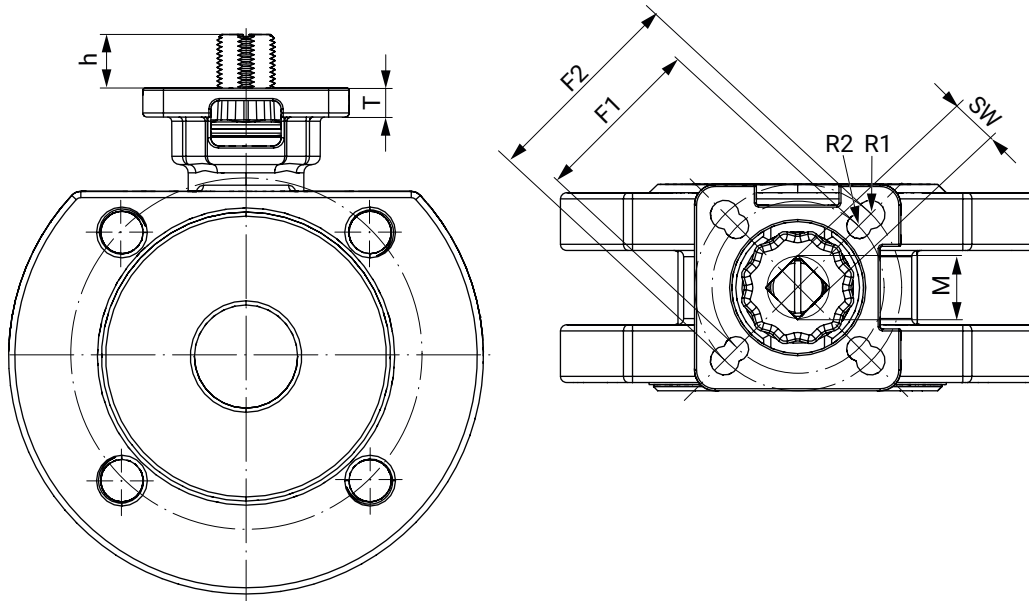
**Weight:****Hand lever**

DN	NPS	Weight
15	1/2"	0.122
20	3/4"	0.122
25	1"	0.165
32	1¼"	0.165
40	1½"	0.398
50	2"	0.398
65	2½"	0.78
80	3"	0.78
100	4"	0.96

Weights in kg

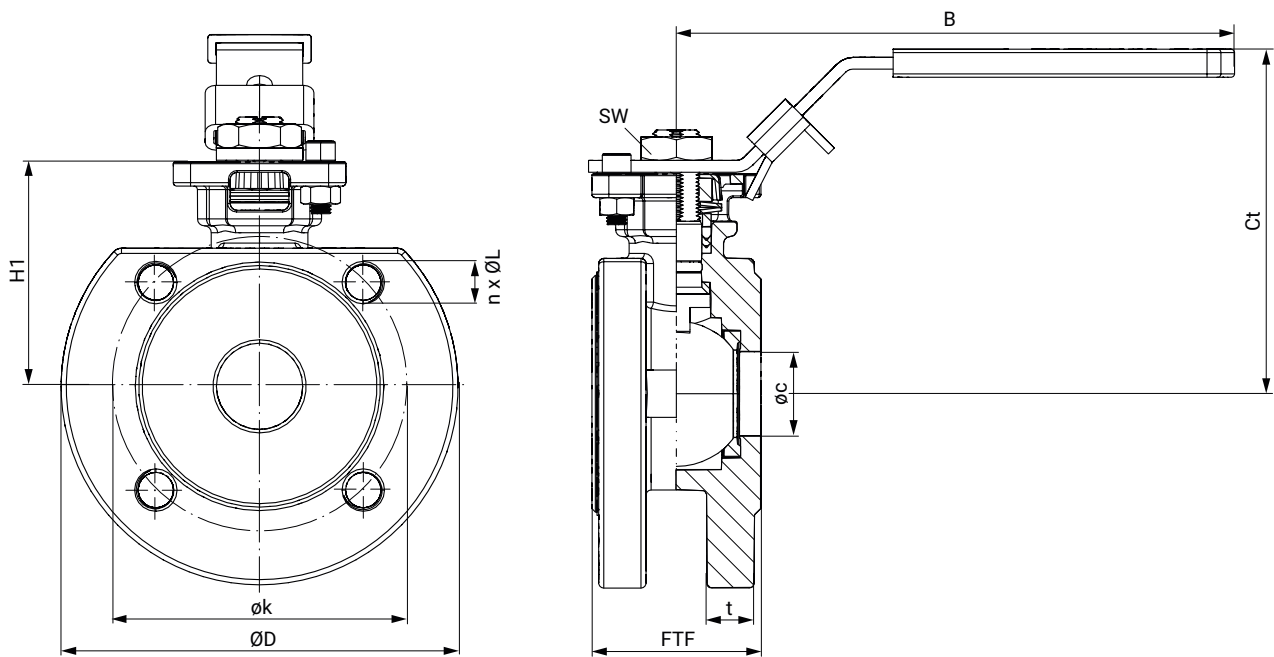
## Dimensions

### Top flange



DN	G	F1	R1	F2	R2	SW	h	T	M
15	1/2"	36	3.0	42	3.0	9	9.5	5.5	M12
20	3/4"	36	3.0	42	3.0	9	7.5	5.5	M12
25	1"	42	3.5	50	3.5	11	13.0	7.0	M14
32	1¼"	42	3.5	50	3.5	11	13.0	6.5	M14
40	1½"	50	4.5	70	3.5	14	15.0	7.5	M18
50	2"	50	4.5	70	3.5	14	16.0	8.5	M18
65	2½"	50	4.5	70	3.5	17	18.0	8.5	M22
80	3"	70	5.5	102	4.5	17	18.0	10.5	M22
100	4"	102	5.5	125	4.5	17	18.0	10.5	M22

Dimensions in mm

**Body dimensions**

DN	$\phi c$	$\phi D$	$\phi k$	t	FTF	H1	n x $\phi L$	B	Ct
15	15	82	65	14	42	48.5	4 x M12	133.5	79.7
20	20	98	75	14	44	54.0	4 x M12	133.5	85.2
25	25	115	85	14	50	65.0	4 x M12	165.1	102.0
32	32	140	100	16	60	78.0	4 x M16	165.1	119.0
40	38	150	110	15	69	85.0	4 x M16	214.0	130.6
50	50	165	125	15	82	93.0	4 x M16	214.0	139.0
65	65	185	145	15	103	107.0	4 x M16	258.0	162.0
80	76	200	160	17	119	119.0	8 x M16	298.0	174.0
100	100	220	180	17	150	132.0	8 x M16	270.0	186.0

Dimensions in mm

## Accessories



### GEMÜ LSF

#### Inductive dual sensor for quarter turn valves

The GEMÜ LSF inductive dual sensor is suitable for mounting to manually and pneumatically operated quarter turn valves. It is also fitted with an optical position indicator for visual confirmation of position.

#### Ordering information

Nominal size	Item no.	Designation
DN15–DN20	88470175	LSFS01Z BV F04
DN25–DN32	88470177	LSFS01Z BV F05
DN40–DN50	88470178	LSFS01Z BV F07
DN65–DN100	88470181	LSFS01Z BV F10



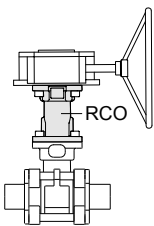
### GEMÜ LSC

#### Limit switch box for quarter turn actuators

The GEMÜ LSC limit switch box is suitable for mounting to manually and pneumatically operated quarter turn valves. It is also fitted with an optical position indicator for visual confirmation of position.

#### Ordering information

Nominal size	Item no.	Designation
DN15–DN20	88494998	LSCS01Z BV F04
DN25–DN32	88495013	LSCS01Z BV F05
DN40–DN50	88495019	LSCS01Z BV F07
DN65–DN100	88495024	LSCS01Z BV F10



### GEMÜ RC0

#### Shaft extension

GEMÜ RC0 is a shaft extension for quarter turn valves. Available for various flange types and shaft connections.

#### Ordering information

See data sheet



GEMÜ Gebr. Müller Apparatebau GmbH & Co. KG  
Fritz-Müller-Straße 6-8, 74653 Ingelfingen-Criesbach, Germany  
Phone +49 (0)7940 123-0 · info@gemu.de  
www.gemu-group.com