

TLBCV – Teflon™ Lined Ball Check Valve

Description

Full bore Teflon™ lined ball check valve with flanged ends and 3-piece body, for corrosive applications.

Product features

- Size range DN 15 – 100
- Flange rating PN 10/16
- Face to face dimension DIN 3202-F1 / EN 558-1
- Max. working pressure max. 16 bar
- Temperature range -50 °C to 180 °C
- Anti-static version available as option

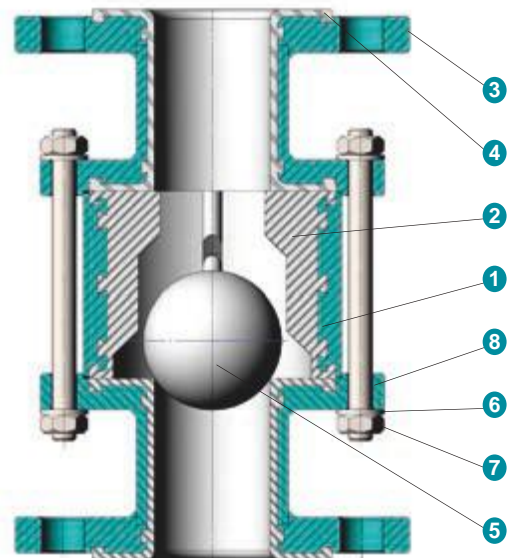


The ball check valves TLBCV meet the safety requirements of the PED 2014/68/EU and with antistatic lining as well the ATEX 2014/34/EU

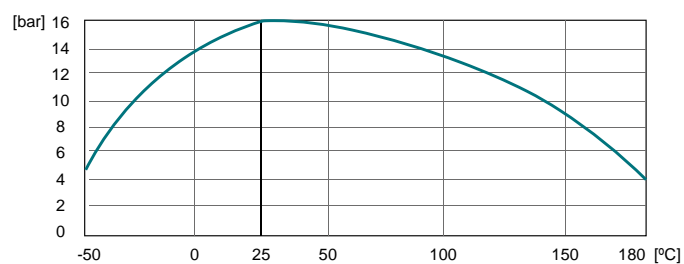


Construction

Item	Description	Material
1	Body	Carbon steel 1.0037 / St 37, Epoxy coated
2	Body lining	PFA / PFA antistatic
3	Flange end pieces	Carbon steel 1.0037 / St 37, Epoxy coated
4	Lining of flanges	PFA / PFA antistatic
5	Ball	PTFE / PTFE antistatic (DN 65 - 100 with steel reinforcements)
6-8	Body bolting	Stainless steel A2-70



Pressure- / temperature diagram



Fluids under control.

TLBCV – Teflon™ Lined Ball Check Valve

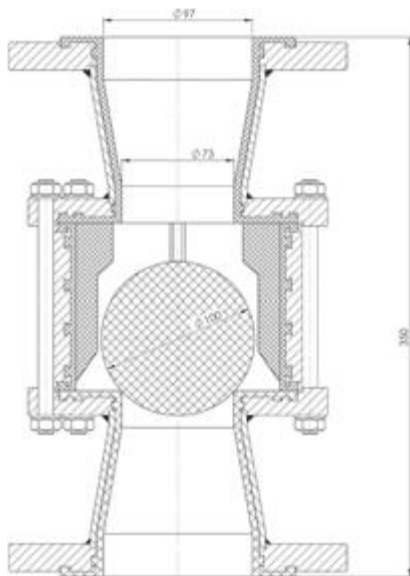
Type code

TLBCV F F . 025 . 3CT . T . T - ...

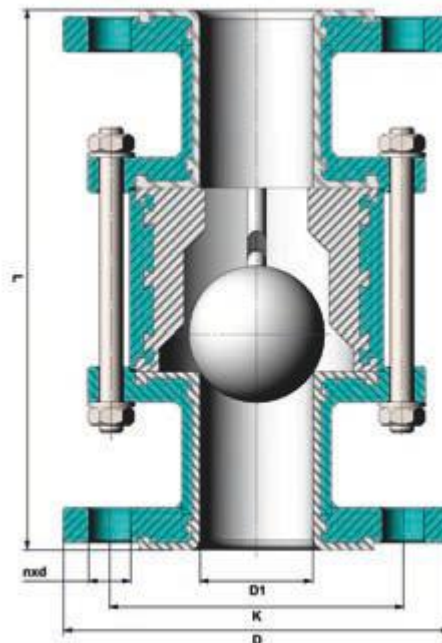
① ② ③ ④ ⑤ ⑥ ⑦ ⑧

① Type	TLBVH	Teflon™ Lined Ball Check Valve	
② Bore	F	Full bore, DN 100 standard with reduced port; full port on request	
③ Face to face	F	DIN 3202-F1 / EN 558-1 (long)	
④ Size	015-100	DN 15 - 100 mm (½" - 4")	
⑤ Material body	3CT	Carbon steel 1.0037 / St 37 PFA lined	
	3CA	Carbon steel 1.0037 / St 37 PFA antistatic lined (no FDA and EC 1935/2004 compliance)	
⑥ Material ball	T	PTFE	
	A	PTFE antistatic	
	TG	PTFE GF reinforced	Optional
	C	Ceramic Al ₂ O ₃	Optional
⑦ Material seat rings	T	PTFE	
	A	PTFE antistatic	
	TG	PTFE GF reinforced	Optional
⑧ Special executions	SCF	Cavity filler seats (very low dead volume)	
	ANSI150	Flange drilling acc. to ANSI class 150	

Dimensions



DN 100 with reduced port



DN	D	K	n x d	D1	L	kv [m ³ /h]	[kg]
15	95	65	4 x 14	13	130	17.5	1.9
20	105	75	4 x 14	18	150	31	2.9
25	115	85	4 x 14	24	160	75	4.0
32	140	100	4 x 18	32	180	155	6.0
40	150	110	4 x 18	38	200	200	8.4
50	165	125	4 x 18	48	230	310	11.2
65	185	145	4 x 18	62	290	500	15.0
80	200	160	8 x 18	76	310	800	20.5
100	220	180	8 x 18	96	350	1250	29.0