

# STCV - Swing Check Valve

## Description

The STCV is a high integrity moulded wafer swing check valve, with fully encapsulated one piece disc / hinge assembly ensuring prolonged maintenance free service. Suitable for a wide range of chemical process conditions. The product is available for both standard DIN PN 10/16 and ANSI 150.

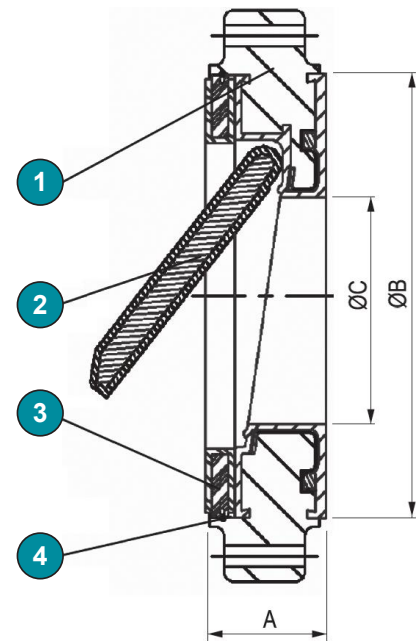
## Product features

- Retained hinge design to aid installation and prevent disc removal in service
- Machined body T-slots and liner locking system securely holding liner in position
- Angled seat design ensures positive location in horizontal lines
- Virgin PFA with no pigmentation to hide defects
- Strong robust design



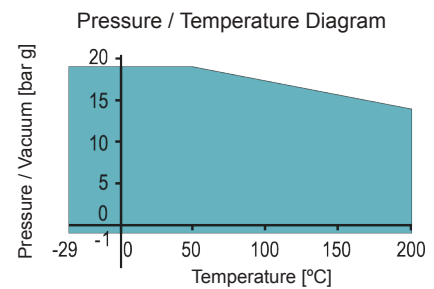
## Material specification

Item	Qty	Description	Materials	Specification	DIN equivalent material
1	1	Body	Cast steel / PFA	ASTM A216 Gr WCB / PFA	1.0619 / PFA
2	1	Disc	Cast steel / PFA	ASTM A216 Gr WCB / PFA	1.0619 / PFA
3	1	Retaining Plate	Carbon Steel / PFA	BS4360 Gr 43A / PFA	1.0490 / PFA
4	1	Circlip	Stainless steel	BS2056 Gr 304S15	1.4301
		Paint finish	75µ, RAL 5021	Epoxy coating	-
		PFA lining	ASTM D 3307		



## Dimensions

To suit pipework		Face to face	Diameter ASME 150	Diameter DIN PN10/16	Valve bore	Weight
mm	Inches	A	B	B	C	kg
100	4	52	171	152	71.5	6.0
150	6	56	219	218	110	12.0
200	8	60	275	273	150	21.5
250	10	68	336	329	184	27.5
300	12	78	406	378 / 384	230	40.5



Fluids under control.

# STCV - Swing Check Valve

## Options

Component	Description
Body	Antistatic liner
Seat	Soft seats, Kalrez & Viton for gas applications



## Type code

STCV	100	.	3	3	.	3HT	.	3HT	.
①	②		③	④		⑤		⑥	⑦

①	Type	STCV	Swing Check Valve
②	Nominal diameter	100 - 300	mm
③	Working pressure	3	16 bar
④	Rating	3	PN10/16
		A	ASME Class 150
			others on request
⑤	Body	3HT	Cast steel / PFA
			Body with antistatic liner on request
⑥	Disc	3HT	Cast steel / PFA
⑦	Seat (option)		Kalrez® & Viton® for gas applications on request