

**CARBON STEEL GATE VALVE FLANGED PN16 TRIM8**



**ISO 9001 : 2015**



PED 2014/68/EU



**Certificate 3.1**

**Size :** DN 50 to DN 400  
**Ends :** Flanges R.F. PN16  
**Min Temperature :** - 29°C  
**Max Temperature :** + 425°C  
**Max Pressure :** 16 Bars  
**Specifications :** Rising, non-rotating stem  
Bolted bonnet and gland pack  
Full bore

**Materials :** Carbon steel ASTM A216 WCB

**CARBON STEEL GATE VALVE FLANGED PN16 TRIM8**
**SPECIFICATIONS :**

- Full bore
- Rising, non-rotating stem
- Fixed non rising handwheel
- Flexible one piece wedge
- Flanges R.F. PN16
- Carbon steel body
- Bolted bonnet and gland pack
- ½ stellite ( Trim 8 , seat with stellite )
- Grey painting RAL 7001 color, 60 µm thickness

**USE :**

- Water distribution, gas oil, steam, petrochemical, petroleum industry, gas
- Min and max Temperature Ts : - 29°C to + 425°C
- Max Pressure Ps : 16 bars
- **Do not use with scraper**
- **Tighten the gland packing in service**

**FLOW COEFFICIENT Kvs :**

DN ( mm )	50	65	80	100	125	150	200	250	300	350	400
Kvs	265	423	614	1124	1807	2690	4940	7720	11540	14070	18650

**PRESSURE / TEMPERATURE RELATION :**

( According to AMSE B16-34 for A216 WCB )

Pressure ( Bar )	16	16	16	15.8	13.8	11.7	9.6	8.6	7.6	6.5	5.5
Temperature ( °C )	-29	38	93	149	204	260	316	343	371	399	425

**PRESSURE / TEMPERATURE GRAPH :**

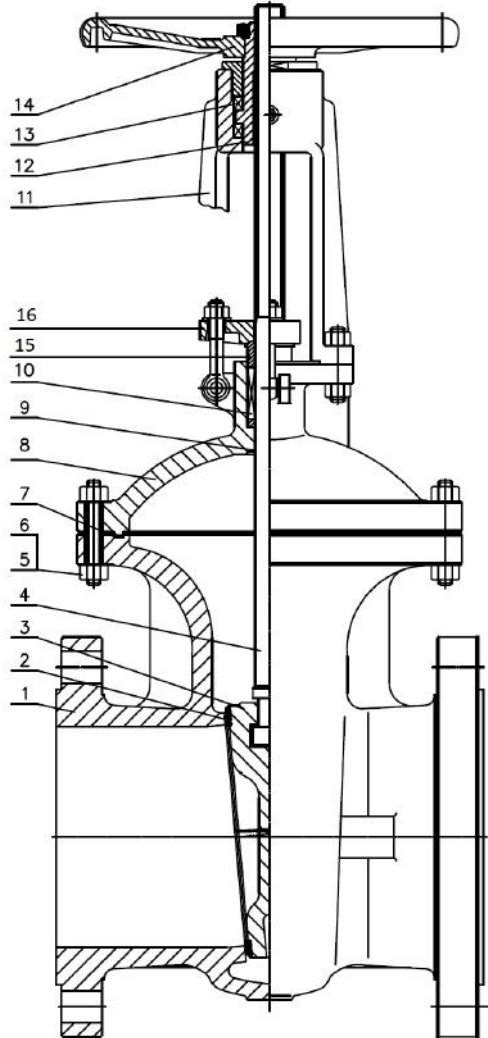
 Pressure  
 (Bar)

**RANGE :**

- Carbon steel gate valve with flanges R.F. PN16 **Ref. 147** From DN 50 to DN 350
- Carbon steel gate valve with flanges R.F. PN16 with gearbox **Ref. 147** DN 400

**CARBON STEEL GATE VALVE FLANGED PN16 TRIM8**

MATERIALS DN50-350 :

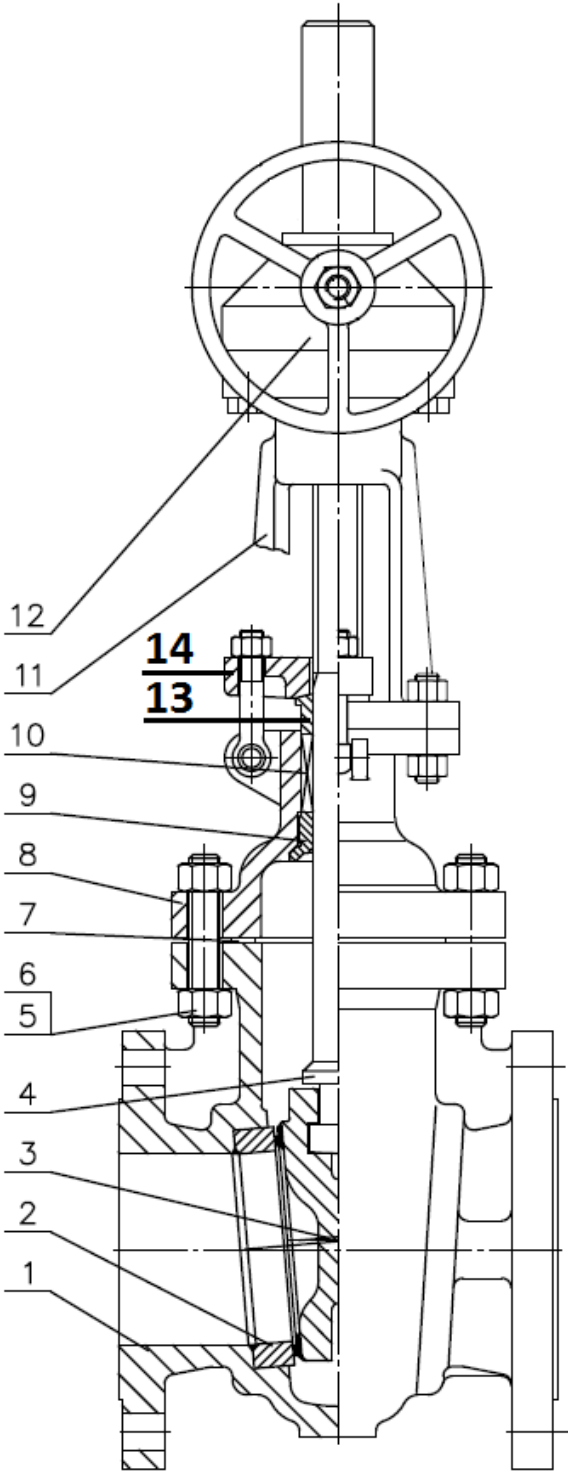


(\* : included in gaskets kit )

Item	Designation	Materials
1	Body	ASTM A216 WCB
2	Seat	ASTM A105 + Stellite Gr.6
3	Wedge	ASTM A216 WCB + 13Cr
4	Stem	ASTM A182 F6a
5	Stud bolt	ASTM A193 Gr B7
6	Nut	ASTM A194 Gr 2H
7*	Bonnet gasket	AISI 304 + graphite
8	Bonnet	ASTM A216 WCB
9	Back seat bushing	Deposited 13Cr
10*	Packing	Flexible graphite
11	Yoke	ASTM A216 WCB
12	Stem nut	Aluminium + Bronze
13	Ring	E51100
14	Handwheel	Cast iron
15	Packing gland	ASTM A276-420
16	Gland flange	ASTM A216 WCB

**CARBON STEEL GATE VALVE FLANGED PN16 TRIM8**

MATERIALS DN400 :

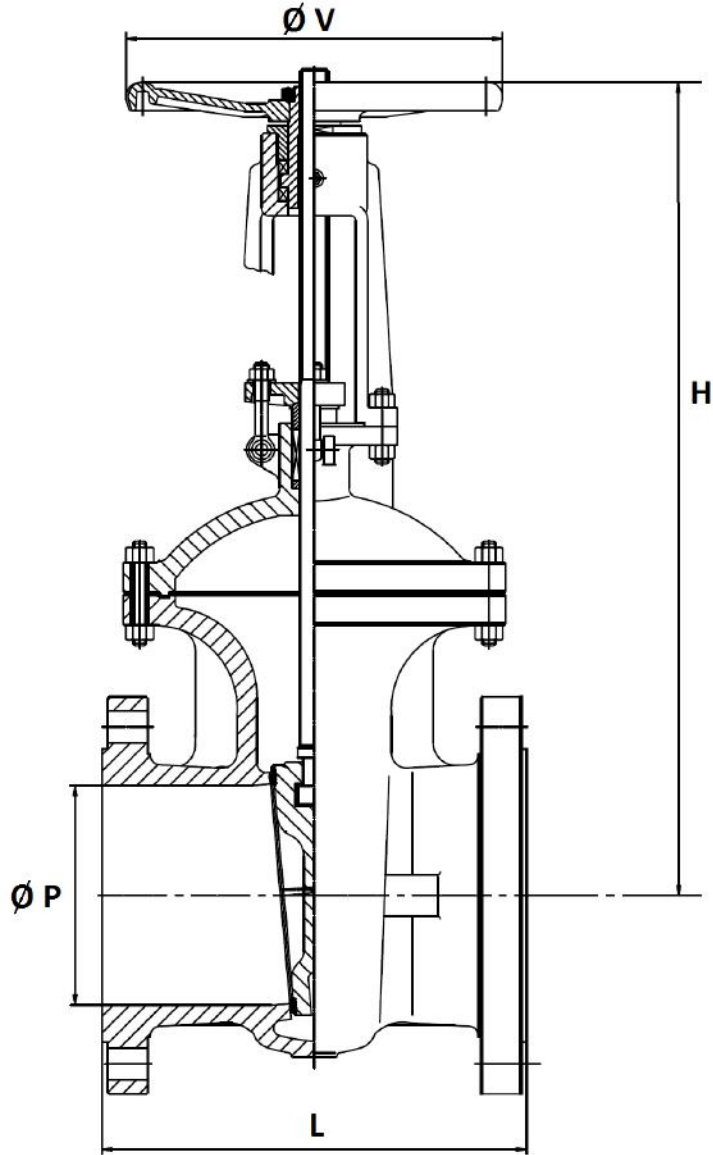


Item	Designation	Materials
1	Body	ASTM A216 WCB
2	Seat	ASTM A105 + Stellite Gr.6
3	Wedge	ASTM A216 WCB + 13Cr
4	Stem	ASTM A182 F6a
5	Stud Bolt	ASTM A193 Gr B7
6	Nut	ASTM A194 Gr 2H
7*	Bonnet gasket	AISI 304 + graphite
8	Bonnet	ASTM A216 WCB
9	Back seat bushing	ASTM A276-420
10*	Packing	Flexible graphite
11	Yoke	ASTM A216 WCB
12	Gearbox	Cast iron
13	Packing gland	ASTM A276-420
14	Gland flange	ASTM A216 WCB

(\* : included in gaskets kit )

**CARBON STEEL GATE VALVE FLANGED PN16 TRIM8**

**SIZE DN 50-350 ( in mm ) :**

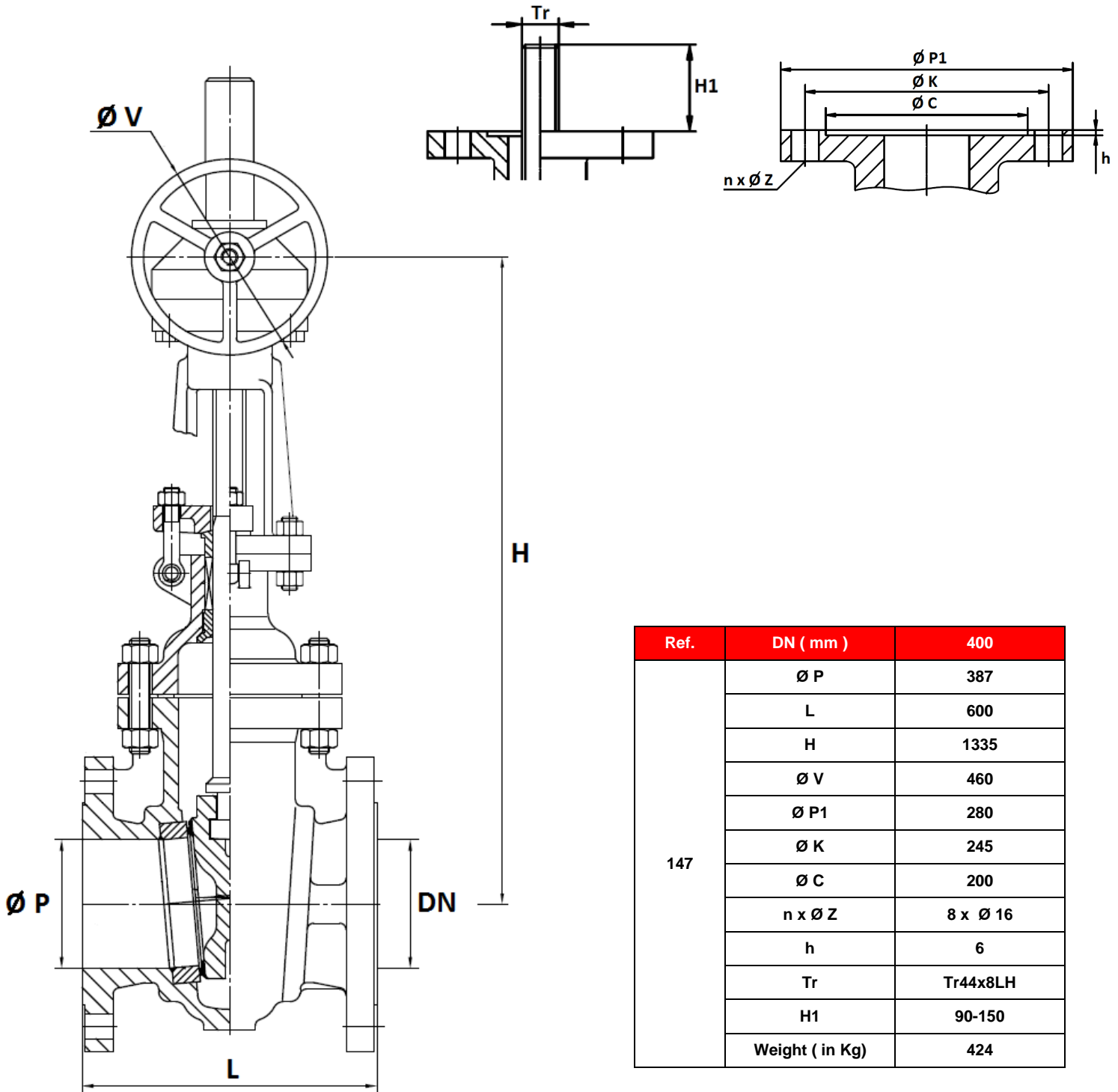


Ref.	DN ( mm )	50	65	80	100	125	150	200	250	300	350
147	Ø P	50	63	76	100	125	150	200	250	300	336
	L	250	270	280	300	325	350	400	450	500	550
	H ( opened )	390	460	515	590	675	780	960	1190	1352	1570
	H ( closed )	330	370	430	505	545	610	750	900	1040	1215
	Ø V	240	240	280	300	300	350	400	450	500	600
	Weight ( Kg )	20	28	35	50	61	81.5	125	226	290	405

**CARBON STEEL GATE VALVE FLANGED PN16 TRIM8**

**SIZE DN 400 ( in mm ) :**

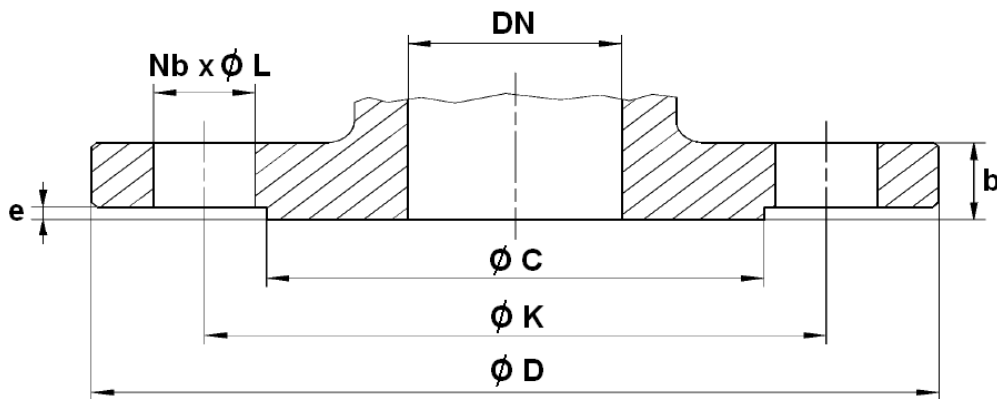
**STEM AND PLATESIZE :**



Ref.	DN ( mm )	400
147	Ø P	387
	L	600
	H	1335
	Ø V	460
	Ø P1	280
	Ø K	245
	Ø C	200
	n x Ø Z	8 x Ø 16
	h	6
	Tr	Tr44x8LH
	H1	90-150
	Weight ( in Kg )	424

**CARBON STEEL GATE VALVE FLANGED PN16 TRIM8**

**FLANGES SIZE ( in mm ) :**



DN ( mm )	50	65	80	100	125	150	200	250	300	350	400
Ø C	102	122	138	158	188	212	268	320	378	438	490
Ø D	165	185	200	220	250	285	340	405	460	520	580
Ø K	125	145	160	180	210	240	295	355	410	470	525
Nb x Ø L	4 x 18	8 x 18	8 x 18	8 x 18	8 x 18	8 x 22	12 x 22	12 x 26	12 x 26	16 x 26	16 x 30
b	18	18	20	20	22	22	24	26	28	30	32
e	3	3	3	3	3	3	3	3	4	4	4

**CARBON STEEL GATE VALVE FLANGED PN16 TRIM8**
**TORQUE VALUE ( in Nm without safety coefficient ) :**

DN	50	65	80	100	125	150	200	250	300	350	400
Torque (Nm)	35	75	90	106	137	160	255	375	510	710	1018

**NUMBER OF CYCLES TO CLOSE OR OPEN THE VALVE :**

DN	50	65	80	100	125	150	200	250	300	350	400
Number of cycles	15	19	19	22	26	33	42	46	52	59	50

**STANDARDS :**

- Fabrication according to ISO 9001 : 2015 and ISO 14001 : 2015
- DIRECTIVE 2014/68/EU : CE N° 0036  
Risk category III Module H
- Certificate 3.1 on request
- Designing according to EN 1984
- Pressure Tests according to EN 122661-1, Rate B
- Length according to EN 558 series 15 (DIN 3202-1, series F5)
- Flanges R.F. according to EN 1092-1 PN16
- ATEX Group II Category 2 G/2D Zone 1 & 21 Zone 2 & 22 ( optional marking ) according to directive 2014/34/EU

**ADVICE :** Our opinion and our advice are not guaranteed and SFERACO shall not be liable for the consequences of damages.  
The customer must check the right choice of the products with the real service conditions.



**CARBON STEEL GATE VALVE FLANGED PN16 TRIM8**

**INSTALLATION INSTRUCTIONS**

**GENERAL GUIDELINES :**

- Ensure that the valves to be used are appropriate for the conditions of the installation (type of fluid, pressure and temperature).
- Be sure to have enough valves to be able to isolate the sections of piping as well as the appropriate equipment for maintenance and repair.
- Ensure that the valves to be installed are of correct strength to be able to support the capacity of their usage.
- **Installation of all circuits should ensure that their function can be automatically tested on a regular basis (at least two times a year).**

**INSTALLATION INSTRUCTIONS :**

- **Before installing the valves, clean and remove any objects from the pipes** (in particular bits of sealing and metal) which could obstruct and block the valves.
- **Ensure that both connecting pipes either side of the valve (upstream and downstream) are aligned (if they're not, the valves may not work correctly).**
- **Make sure that the two sections of the pipe (upstream and downstream) match, the valve unit will not absorb any gaps. Any distortions in the pipes may affect the tightness of the connection, the working of the valve and can even cause a rupture.** To be sure, place the kit in position to ensure the assembling will work.
- **If sections of piping do not have their final support in place, they should be temporarily fixed. This is to avoid unnecessary strain on the valve.**
- Tighten the bolts in cross.
- It's recommended to operate the valve ( open and close ) 1 to 2 times per year
- Keep greased the stem so that the valve remains easy to open or close.
- **For an installation in ATEX area, check the conductivity between the valve, the upstream pipe and the downstream pipe and make sure the pipe is connected to the earth.**

