

STRAINERS zSTRA



Body material	Nominal pressure	Nominal diameter	Max. temperature
A Grey cast iron	C 16 bar	DN 10-80	200°C



correspond to the pressure equipment directive 2014/68/UE marking CE for DN≥32

FEATURES

- compact settlement
- environment-friendly
- tests acc. to EN - 12266 - 1
- screen made of stainless steel
- cleaning of screen without disassembling

APPLICATION

industries



INDUSTRY



SHIPBUILDING
INDUSTRY



HEATING



POWER
ENGINEERING

media



GLYCOL



INDUSTRIAL
WATER



DIATHERMIC OIL



STEAM



COMPRESSED
AIR

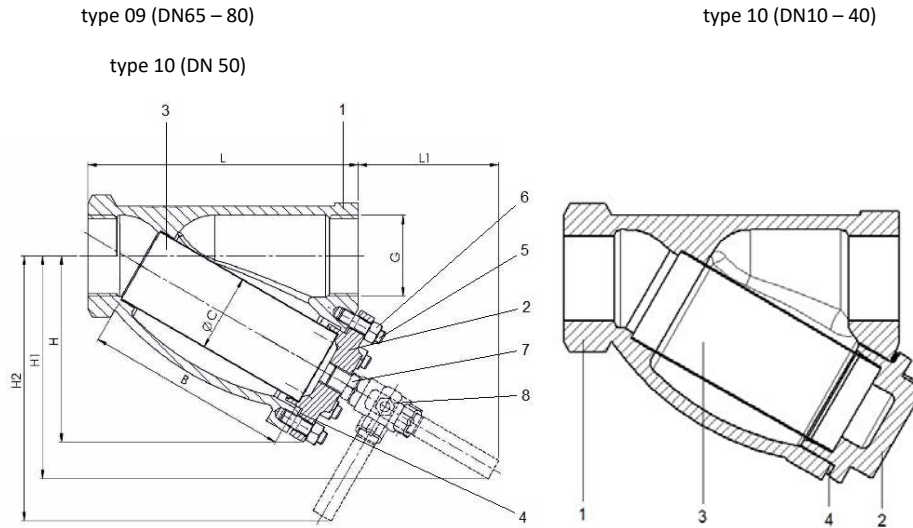


NEUTRAL
FLUIDS

Data given can be changed without notice.

Edition 01/2018

MATERIALS, DIMENSIONS



Body material		A	
Type		10 (DN 10-40)	09; 10 (DN50-80)
1	Body	EN- GJL- 250 5.1301 (ex. JL 1040)	
2	Cover	EN- GJS- 500-7 5.3200 (ex.JS 1050)	EN- GJL- 250 5.1301 (ex. JL 1040)
3	Screen	X5CrNi 18-10 1.4301	
4	Gasket	Carbamide-caoutchouc	
5	Studs	---	5.6 A2A
6	Hexagon nut	---	8 – A2A
7	Nipple	3/8'-3/8'	1/2'-1/2'
8	Ball valve	3/8'	1/2'
Max. temperature		200°C	

DN	10	15	20	25	32	40	50	65	80
G	3/8"	1/2"	3/4"	1"	1 1/4"	1 1/2"	2"	2 1/2"	3"
L (mm)	72	85	100	120	140	160	205	245	265
L1 (mm)	-	115	115	115	115	115	110	110	110
H (mm)	45	52	62	73	86	98	144	172	186
H1 (mm)	-	80	90	110	114	126	172	200	224
H2 (mm)	-	105	112	122	132	146	204	232	246
C (mm)	18	23	28	36	42	50	60	76	83
B (mm)	48	56	68	82	98	114	154	187	200
Weight (kg)	0,3	0,5	0,8	1,1	1,9	2,5	6,1	8,5	12,0
Weight with ball valve(kg)	-	0,72	1,02	1,32	2,12	4,17	6,32	8,79	12,29

Data given can be changed without notice.

Edition 01/2018

ZETKAMA Sp. z o.o.
Ul. 3 Maja 12
PL 57-410 Ścinawka Średnia

Tel. +48 74 8652 193
Tel. +48 74 8652 111
Fax +48 74 8652 199

E-mail export@zetskama.com.pl
www.zetskama.com

PRESSURE-TEMPERATURE RATINGS

Acc. EN 1092-2	PN		-10°C÷120°C	150°C	200°C
EN-GJL250	16	bar	16	14,4	12,8

SCREENS

Screen	Performance	DN	Mash	Mesh es screen/cm ²	Type
Standard	F45	10-50	1,0	45	10
	F28	65-80	1,25	28	09
Other performance	screen cartridges F100 (0,6), F200 (0,5), F300 (0,4), F400 (0,32), F600 (0,25)				

HYDRAULIC CHARACTERISTIC

DN	10	15	20	25	32	40	50	65	80
Screen	Kv . [m ³ /h]								
Standard	5,9	9,7	16,0	25,2	40,7	50,4	87,2	144,5	188,4
F100 (0,63)	5,8	9,5	15,6	24,5	39,6	48,7	84,7	139,4	182,2
F200 (0,50)	5,8	9,5	15,5	24,3	39,3	48,2	83,8	137,7	179,9
F300 (0,40)	5,7	9,3	15,1	23,5	37,9	46,2	80,4	131,0	171,3
F400 (0,32)	5,7	9,2	14,9	23,2	37,3	45,4	78,5	127,6	166,8
F600 (0,25)	5,7	9,2	14,8	23,1	37,2	45,3	78,4	127,3	166,5

Data given can be changed without notice.

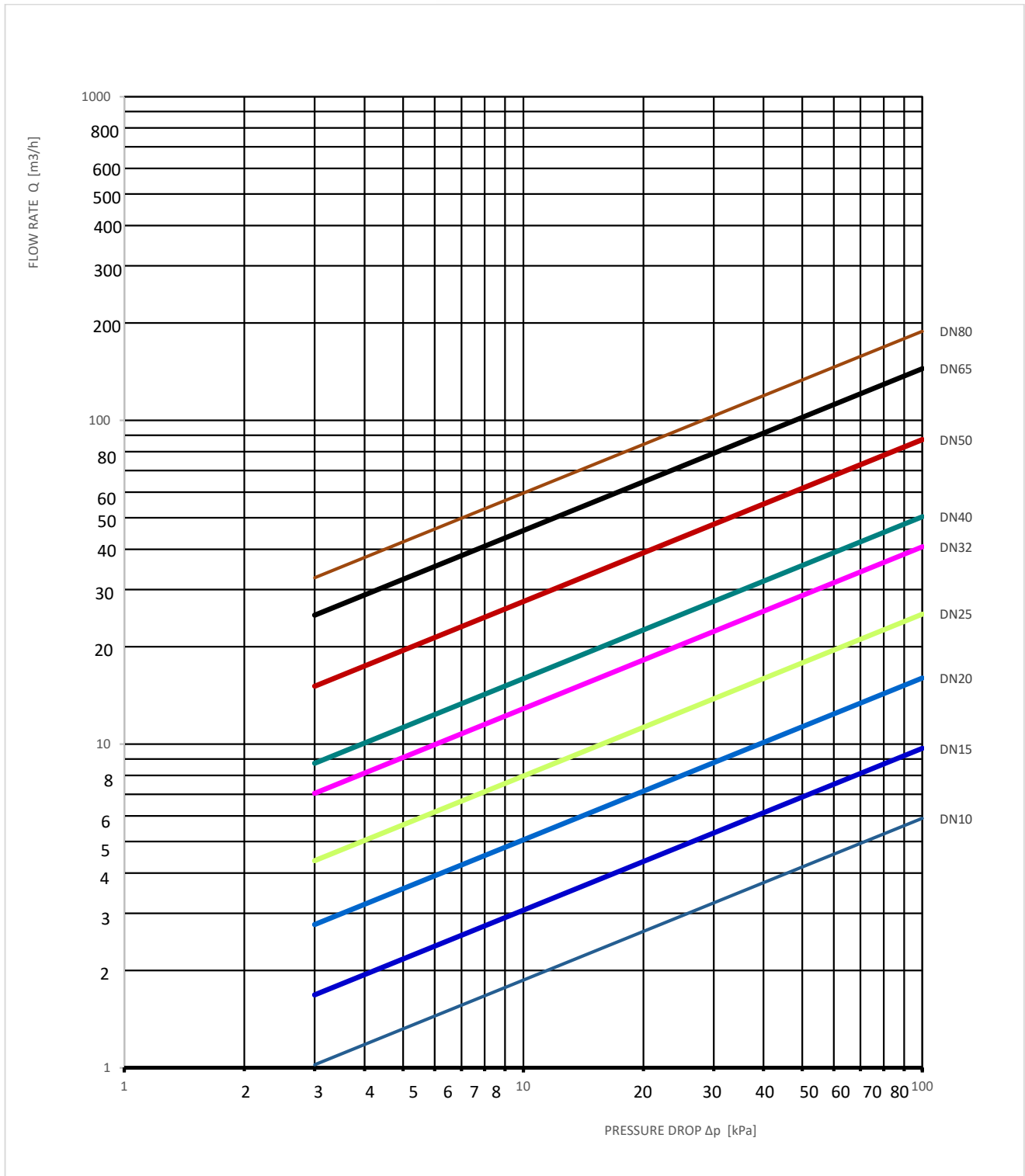
Edition 01/2018

ZETKAMA Sp. z o.o.
Ul. 3 Maja 12
PL 57-410 Ścinawka Średnia

Tel. +48 74 8652 193
Tel. +48 74 8652 111
Fax +48 74 8652 199

E-mail export@zetskama.com.pl
www.zetskama.com

FIG.823



Data given can be changed without notice.

Edition 01/2018

ZETKAMA Sp. z o.o.
 Ul. 3 Maja 12
 PL 57-410 Ścinawka Średnia

Tel. +48 74 8652 193
 Tel. +48 74 8652 111
 Fax +48 74 8652 199

E-mail export@zetskama.com.pl
www.zetskama.com

TYPE

Figure	Body material	Nominal diameter	Nominal pressure	Type
823	A Grey cast iron EN-GJL-250	10-50 mm	C 16 bar	10 mesh 1,00 mm, 45 mesh/cm ²
		65-80 mm	C 16 bar	09 mesh 1,25 mm, 28 mesh/cm ²
		10-50 mm	C 16 bar	30 mesh 1,00 mm, 45 mesh/cm ² , with magnetic cartridge
		65-80 mm	C 16 bar	29 mesh 1,25 mm, 28 mesh/cm ² , with magnetic cartridge
		10-80 mm	C 16 bar	04 mesh 0,63 mm, 100 mesh/cm ²
		10-80 mm	C 16 bar	05 mesh 0,50 mm, 200 mesh/cm ²
		10-80 mm	C 16 bar	06 mesh 0,40 mm, 300 mesh/cm ²
		10-80 mm	C 16 bar	07 mesh 0,32 mm, 400 mesh/cm ²
		10-80 mm	C 16 bar	08 mesh 0,25 mm, 600 mesh/cm ²
		10-80 mm	C 16 bar	24 mesh 0,63 mm, 100 mesh/cm ² , with magnetic cartridge
		10-80 mm	C 16 bar	25 mesh 0,50 mm, 200 mesh/cm ² , with magnetic cartridge
		10-80 mm	C 16 bar	26 mesh 0,40 mm, 300 mesh/cm ² , with magnetic cartridge
		10-80 mm	C 16 bar	27 mesh 0,32 mm, 400 mesh/cm ² , with magnetic cartridge
		10-80 mm	C 16 bar	28 mesh 0,25 mm, 600 mesh/cm ² , with magnetic cartridge

Data given can be changed without notice.

Edition 01/2018

ORDERING

Figure	Body material	Nominal diameter	Nominal pressure	Type
823	A Grey cast iron EN-GJL-250	10-50 mm	C 16 bar	10 mesh 1,00 mm, 45 mesh/cm ²

Order example acc. index

823 A 050 C 10

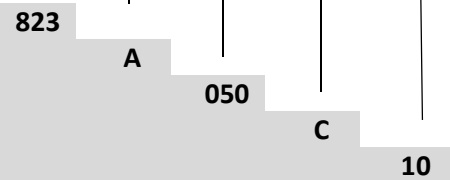
Strainer, ends threaded, form Y-type

Grey cast iron EN-GJL-250

Nominal diameter (mm)

Nominal pressure PN 16

Mesh 1,00 mm, 45 mesh/cm²



Data given can be changed without notice.

Edition 01/2018