

**FLANGED STAINLESS STEEL STRAINER PN16**



**Certificat 3.1**

**Size:** DN 15 to DN 200  
**Ends :** PN16 Flanges R.F.  
**Min Temperature :** - 20°C  
**Max Temperature :** + 200°C  
**Max Pressure :** 16 Bars  
**Specifications :** Removable stainless steel filter  
Bolted bonnet with draining cap

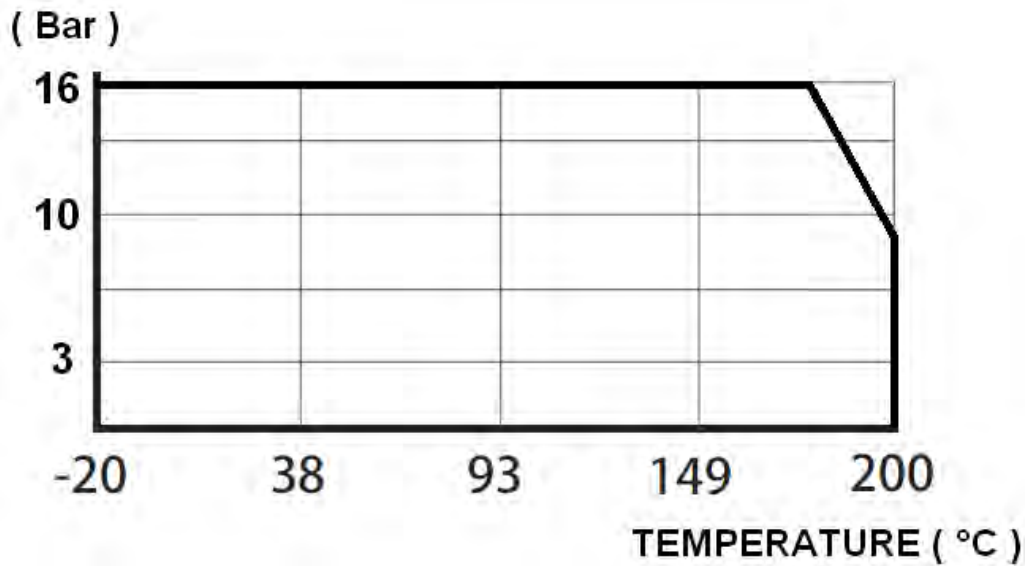
**Materials :** Stainless steel ASTM A351 CF8M

**FLANGED STAINLESS STEEL STRAINER PN16**
**SPECIFICATIONS :**

- Removable stainless steel filter
- PN16 Flanges R.F.
- Horizontal or vertical position with descendant fluid (respect the flow direction indicated by the arrow )
- Mesh 8/10° mm ( 800 μ ) up to DN 50 , 10/10° mm from DN 65 to 80 and 30/10° over
- Bolted bonnet with draining cap threaded BSP

**USE :**

- For Chemical and pharmaceutical industries, petrochemical industries, hydraulic installation, compressed air
- Min Temperature Ts : - 20°C
- Max Temperature Ts : + 200°C
- Max Pressure Ps : 16 bars ( see graph )

**PRESSURE / TEMPERATURE GRAPH ( STEAM EXCLUDED ) :**

**FLOW COEFFICIENT Kvs ( M3 / h ) :**

DN	15	20	25	32	40	50	65	80	100	125	150	200
Kvs ( m3/h )	2.59	6.05	12.1	17.3	27.7	56.2	85.5	138.4	259.5	415.1	605.4	882.3

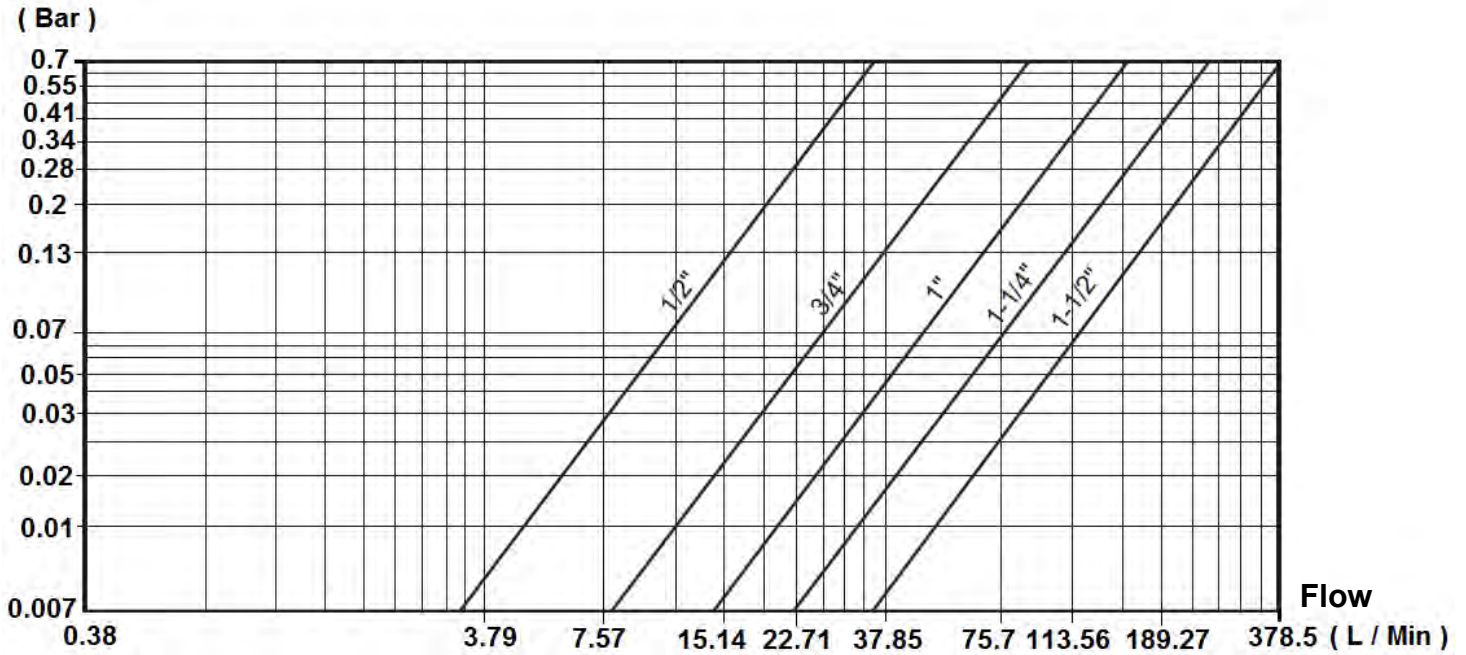
**RANGE :**

- PN16 Flanges R.F. from DN 15 to DN 200 **Ref.240**

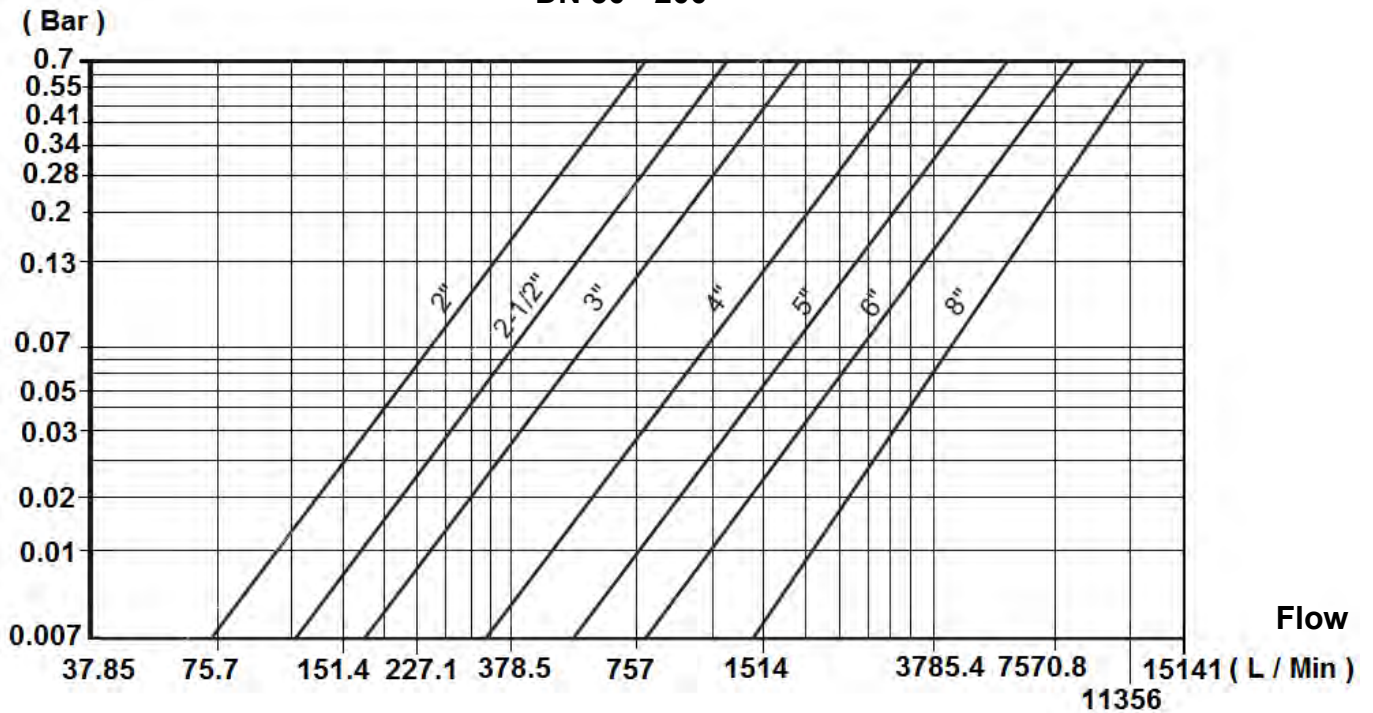
**FLANGED STAINLESS STEEL STRAINER PN16**

HEAD LOSS GRAPH :

**DN 15 - 40**

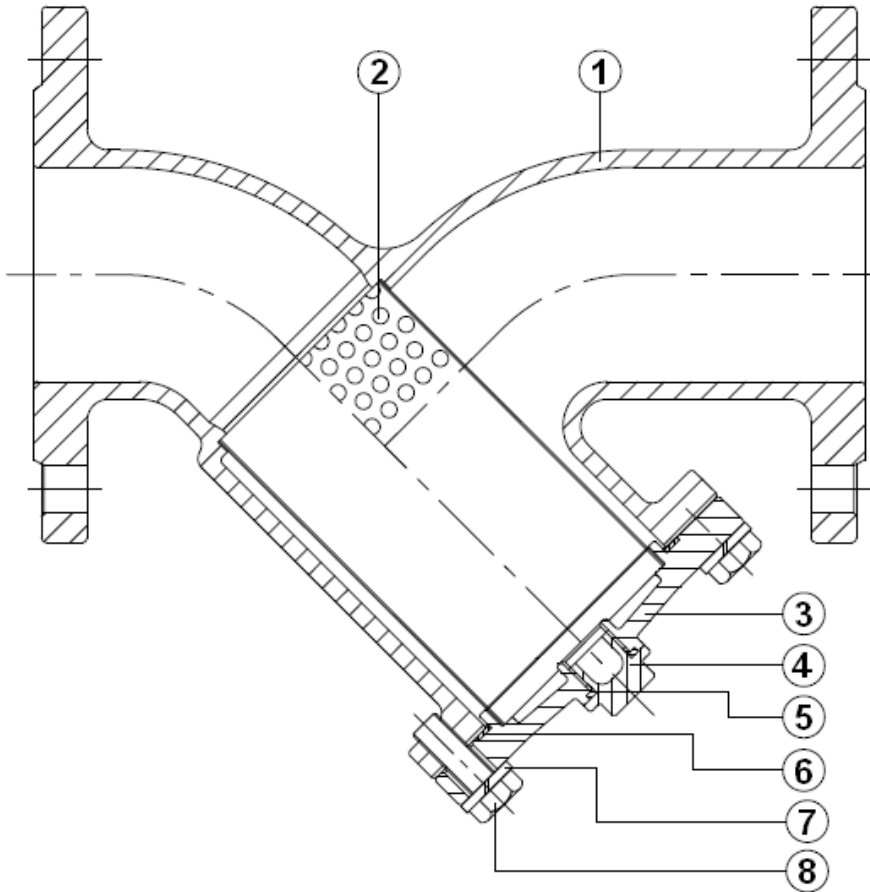


**DN 50 - 200**



**FLANGED STAINLESS STEEL STRAINER PN16**

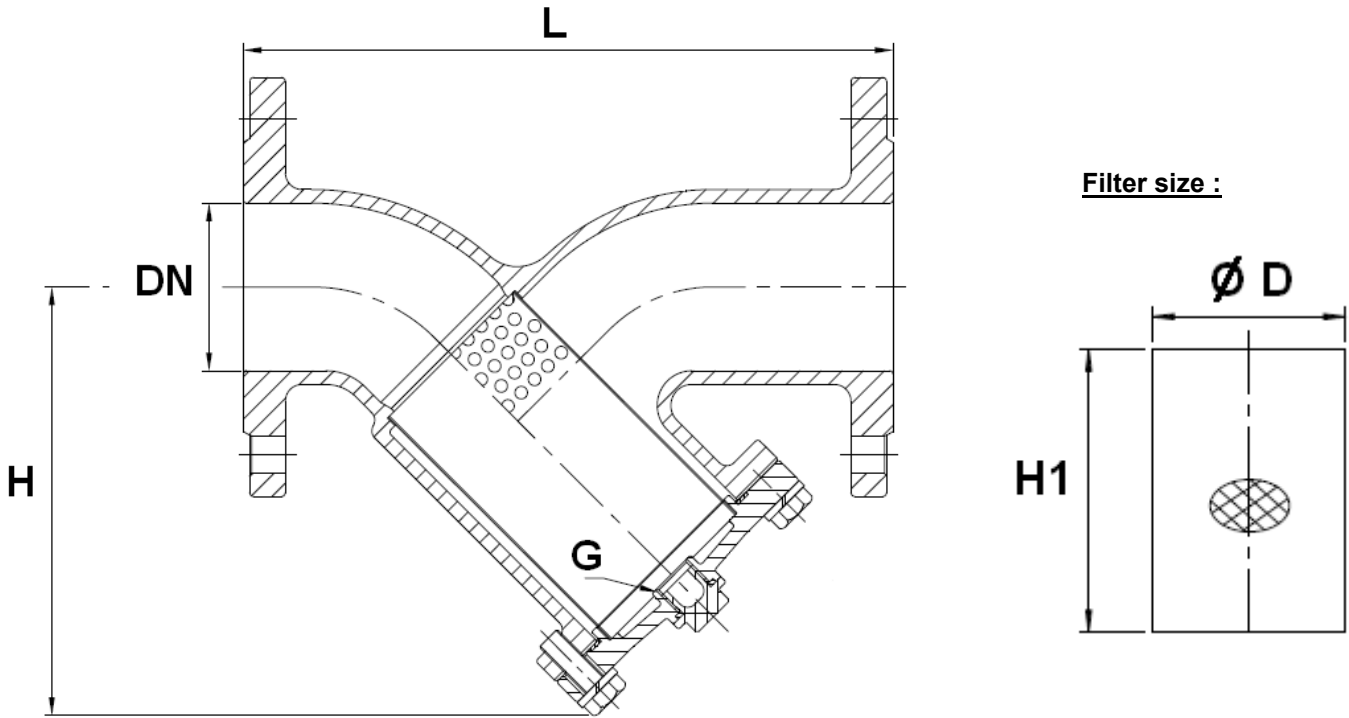
**MATERIALS :**



Item	Designation	Materials
1	Body	ASTM A351 CF8M
2	Filter	AISI 304
3	Bonnet	ASTM A351 CF8M
4	Draining cap	ASTM A351 CF8M
5	Gasket	PTFE
6	Bonnet gasket	PTFE
7	Washer	AISI 304
8	Screw	

**FLANGED STAINLESS STEEL STRAINER PN16**

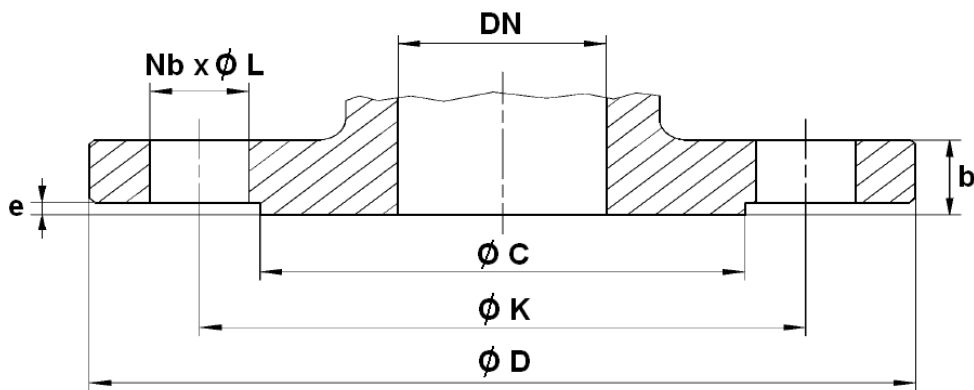
SIZE ( in mm ) :



Ref.	DN	15	20	25	32	40	50	65	80	100	125	150	200	
<b>240</b>	<b>L</b>	130	150	160	180	200	230	290	310	350	400	480	600	
	<b>H</b>	85	85	112	114	132	150	185	200	232	274	328	410	
	<b>G ( drain )</b>	1/2"	1/2"	1/2"	1/2"	1/2"	1/2"	1/2"	1/2"	3/4"	3/4"	3/4"	3/4"	
	<b>Ø D</b>	19	24	27	40	43	54	65	85	103	128	154	208	
	<b>H1</b>	57	55	87	82	99.5	102	135	150	160	221	250	300	
	<b>Mesh</b>	0.8	0.8	0.8	0.8	0.8	0.8	0.8	1	1	3	3	3	3
	<b>Weight ( Kg )</b>	2	2.7	3.5	5	6.1	8.1	12.3	15.5	22	30	45.1	77.1	

**FLANGED STAINLESS STEEL STRAINER PN16**

PN16 FLANGES SIZE ( in mm ) :



DN	15	20	25	32	40	50	65	80	100	125	150	200
Ø C	45	58	68	78	88	102	122	138	158	188	212	268
Ø D	95	105	115	140	150	165	185	200	220	250	285	340
Ø K	65	75	85	100	110	125	145	160	180	210	240	295
Nb x Ø L	4 x 14	4 x 14	4 x 14	4 x 18	4 x 18	4 x 18	4 x 18	8 x 18	8 x 18	8 x 18	8 x 22	12 x 22
b	14	16	16	16	16	18	18	20	20	22	22	24
e	2	2	2	2	3	3	3	3	3	3	3	3

## FLANGED STAINLESS STEEL STRAINER PN16

### STANDARDS :

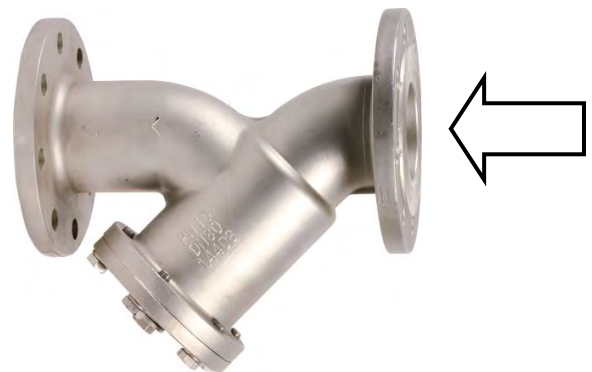
- Fabrication according to ISO 9001 : 2015
- DIRECTIVE 2014/68/EU : CE N° 0035  
Risk category III Module H
- Certificate 3.1 on request
- Construction according to EN 12516-1
- Pressure tests according to API 598, table 6
- Length according to EN 558 series1 (DIN 3202 F1 – NF 29354)
- PN16 Flanges R.F. according to EN 1092-1
- ATEX Group II Category 2 G/2D Zone 1 & 21 Zone 2 & 22 ( optional marking )

### INSTALLATION POSITIONS :

Vertical position ( descendand fluid )



Horizontal position



**ADVICE :** Our opinion and our advice are not guaranteed and SFERACO shall not be liable for the consequences of damages. The customer must check the right choice of the products with the real service conditions.

**FLANGED STAINLESS STEEL STRAINER PN16****INSTALLATION INSTRUCTIONS****GENERAL GUIDELINES :**

- Ensure that the strainers to be used are appropriate for the conditions of the installation (type of fluid, pressure and temperature).
- Be sure to have enough valves to be able to isolate the sections of piping as well as the appropriate equipment for maintenance and repair.
- Ensure that the strainers to be installed are of correct strength to be able to support the capacity of their usage.
- **Installation of all circuits should ensure that their function can be automatically tested on a regular basis (at least two times a year).**

**INSTALLATION INSTRUCTIONS :**

- **Before installing the strainers, clean and remove any objects from the pipes** (in particular bits of sealing and metal) which could obstruct and block the strainers.
- **Ensure that both connecting pipes either side of the strainer (upstream and downstream) are aligned (if they're not, the strainer may not work correctly).**
- **Make sure that the two sections of the pipe (upstream and downstream) match, the strainer unit will not absorb any gaps. Any distortions in the pipes may affect the tightness of the connection, the working of the strainer and can even cause a rupture.** To be sure, place the kit in position to ensure the assembling will work.
- Make sure flanges are cleaned.
- **If sections of piping do not have their final support in place, they should be temporarily fixed. This is to avoid unnecessary strain on the strainer.**
- Tighten the bolts in cross.
- The pressurisation must be increased gradually.
- So that the maintenance operations could be easily done, place a stop valve before and after the strainer. Thereby, the strainer could be isolated. During this operation, ensure to have a new bonnet gasket to avoid a leakage during the restarting.
- **Fluids in the strainer must not contain solid objects ( it could damaged the seat ).**