

EPOXY CAST IRON Y STRAINER FLANGED PN 10/16



Size : DN 40 to DN 300
Ends : Flanges R.F. PN10/16
Min Temperature : - 10°C
Max Temperature : + 80°C
Max Pressure : 16 Bars up to DN200
Specifications : Removable stainless steel filter
Bolted bonnet with draining cap
Epoxy painting

Materials : Cast iron body

EPOXY CAST IRON Y STRAINER FLANGED PN 10/16

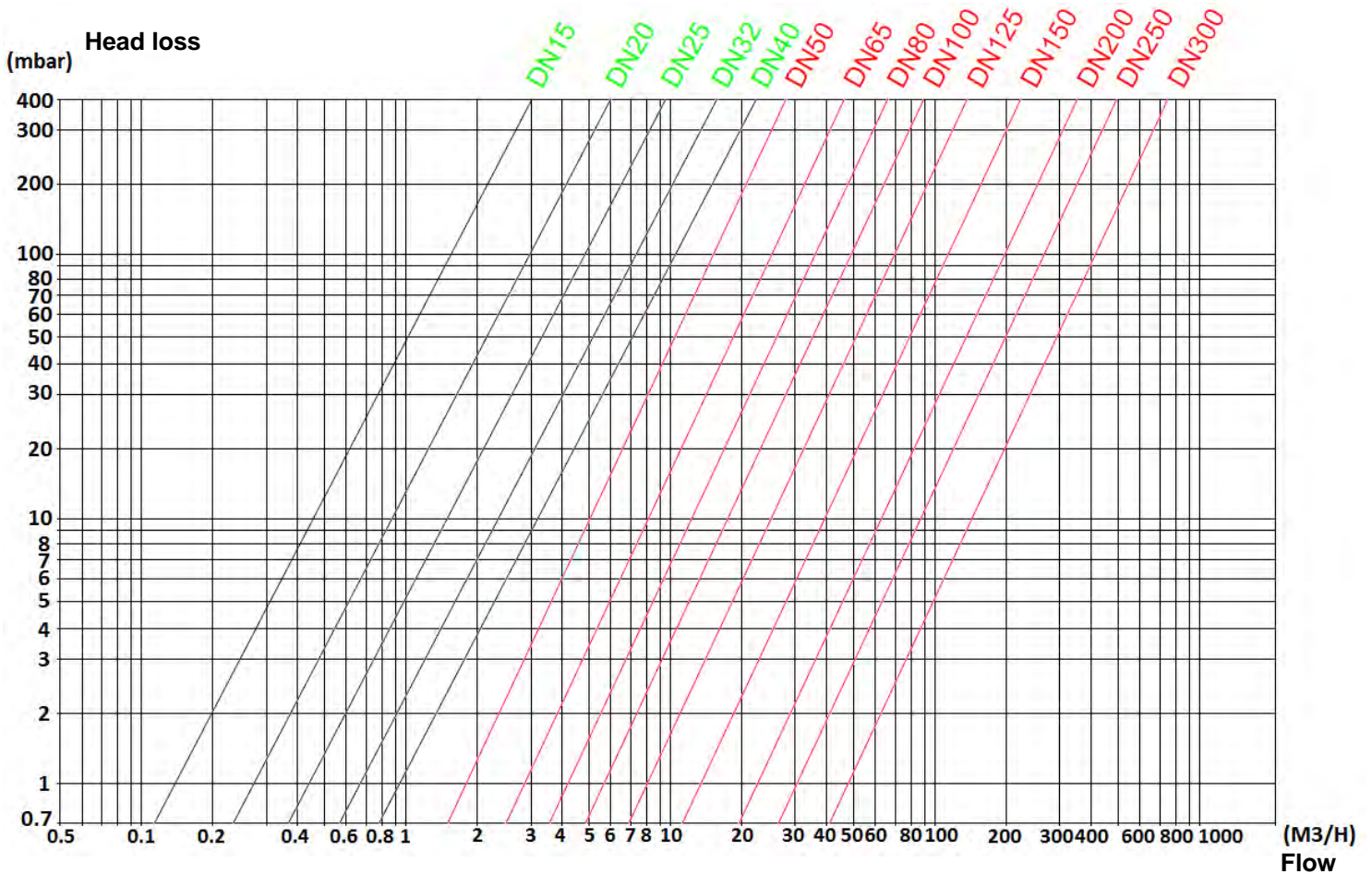
SPECIFICATIONS :

- Removable stainless steel filter
- R.F. flanges PN10/16
- Horizontal or vertical position with descendant fluid (respect the flow direction indicated by the arrow)
- Mesh1 mm from DN40 to 50, 1.25 mm from DN65 to 80 and 1.6 mm from DN100 to 300
- Bolted bonnet with draining cap threaded BSP
- Possible to equip with a draining valve (Ref.528)
- Epoxy painting 150 μ thickness, blue color RAL 5005

USE :

- For watering, water treatment and irrigation
- Min Temperature Ts : - 10°C
- Max Temperature Ts :+ 80°C
- Max Pressure Ps : 16 bars up to DN200, 10 bars over

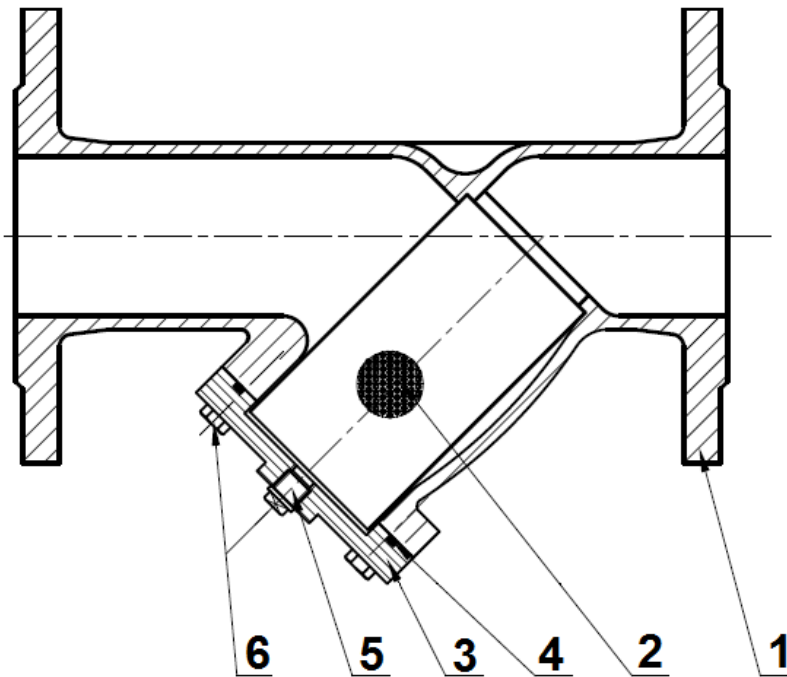
HEAD LOSS GRAPH :



EPOXY CAST IRON Y STRAINER FLANGED PN 10/16
RANGE :

- Y strainer R.F. flanges PN10/16 from DN 40 to DN 300 **Ref.233**
- Y strainer R.F. flanges PN10/16 with draining valve NF from DN 40 to DN 300 **Ref.233043 to 233304**
- Draining valve NF Male – Female **Ref. 528004** DN 1/2" for DN 40 to DN125 and **528005** DN 3/4" for DN150 to 300

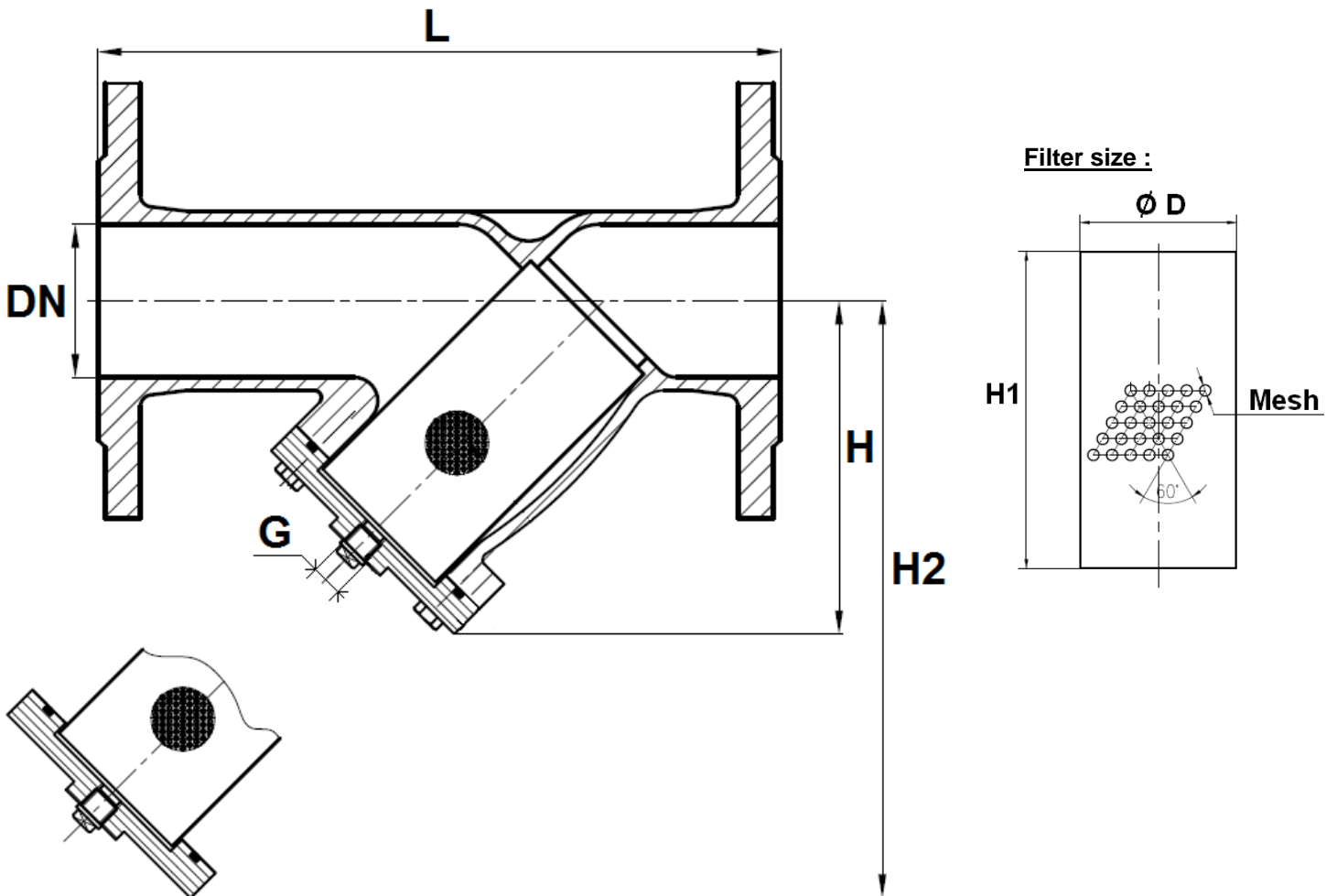
Example of filter with draining valve :


MATERIALS :


Item	Designation	Materials
1	Body	Cast iron EN GJL-250
2	Filter	AISI 304
3	Bonnet	Cast iron EN GJL-250
4	Bonnet gasket	EPDM
5	Draining cap	AISI 304
6	Bolting	AISI 304

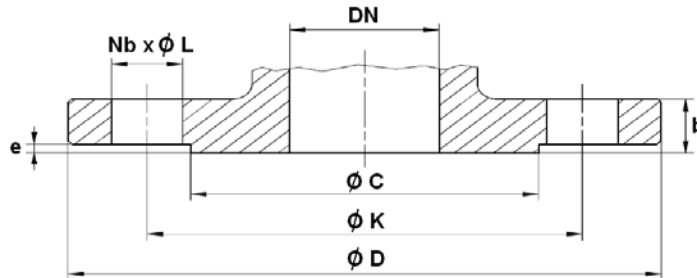
EPOXY CAST IRON Y STRAINER FLANGED PN 10/16

SIZE (in mm) :

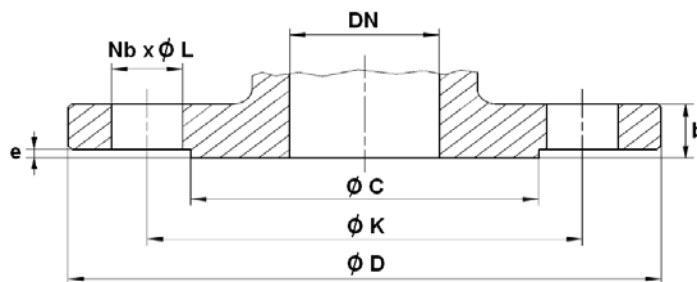


Ref.	DN	40	50	65	80	100	125	150	200	250	300
233	L	200	230	290	310	350	400	480	600	730	850
	H	110	117	142	163	194	248	280	346	433	480
	H2	175	192	232	265	323	402	430	560	715	785
	G (drain)	1/2"	1/2"	1/2"	1/2"	1/2"	1/2"	3/4"	3/4"	3/4"	3/4"
	Ø D	42	52	69	81	100	125	158	206	254	302
	H1	90.5	104.5	126.5	140	179.5	214.5	233.5	295.5	394.5	424.5
	Mesh	1	1	1.25	1.25	1.6	1.6	1.6	1.6	1.6	1.6
	Weight (Kg)	6.3	7.7	11.4	14.2	18.5	28.5	39.2	61.2	115.6	155.5

Sferaco 90 rue du Ruisseau 38297 St Quentin Fallavier Tel: + 33 (0) 474.94.15.90 Fax: + 33 (0) 474.95.62.08 Internet: www.sferaco.fr E-mail: sferaco@sferaco.fr

EPOXY CAST IRON Y STRAINER FLANGED PN 10/16
FLANGES SIZE PN10 (in mm) :


DN	40	50	65	80	100	125	150	200	250	300
Ø C	84	99	118	132	156	184	211	266	319	370
Ø D	150	165	185	200	220	250	285	340	395	445
Ø K	110	125	145	160	180	210	240	295	350	400
Nb x Ø L	4 x 18	4 x 18	4 x 18	8 x 18	8 x 18	8 x 18	8 x 23	8 x 23	12 x 23	12 x 23
b	18	20	20	22	22	24	24	26	28	28
e	3	3	3	3	3	3	3	3	3	3
Ref.	233040	233050	233065	233080	233100	233125	233150	233200	233250	233300

FLANGES SIZE PN16 (in mm) :


DN	200	250	300
Ø C	266	319	370
Ø D	340	405	460
Ø K	295	355	410
Nb x Ø L	12 x 23	12 x 27	12 x 27
b	30	32	32
e	3	3	3
Ref.	233201	233251	233301

EPOXY CAST IRON Y STRAINER FLANGED PN 10/16

STANDARDS :

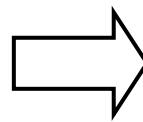
- Fabrication according to ISO 9001 : 2015
- DIRECTIVE 2014/68/EU : Products excluded (article 4, § 3)
- Pressure tests according to EN 12266-1
- Length according to EN 558 Series 1 (DIN 3202 F1 – NF 29354)
- Flanges R.F. according to EN 1092-2 PN10/16
- French water agreement **A.C.S. N° 17 ACC LY 817**

INSTALLATION POSITIONS :

Vertical position (descendand fluid)



Horizontal position



ADVICE : Our opinion and our advice are not guaranteed and SFERACO shall not be liable for the consequences of damages. The customer must check the right choice of the products with the real service conditions.

EPOXY CAST IRON Y STRAINER FLANGED PN 10/16**INSTALLATION INSTRUCTIONS****GENERAL GUIDELINES :**

- Ensure that the strainers to be used are appropriate for the conditions of the installation (type of fluid, pressure and temperature).
- Be sure to have enough valves to be able to isolate the sections of piping as well as the appropriate equipment for maintenance and repair.
- Ensure that the strainers to be installed are of correct strength to be able to support the capacity of their usage.
- **Installation of all circuits should ensure that their function can be automatically tested on a regular basis (at least two times a year).**

INSTALLATION INSTRUCTIONS :

- **Before installing the strainers, clean and remove any objects from the pipes** (in particular bits of sealing and metal) which could obstruct and block the strainers.
- **Ensure that both connecting pipes either side of the strainer (upstream and downstream) are aligned (if they're not, the strainer may not work correctly).**
- **Make sure that the two sections of the pipe (upstream and downstream) match, the strainer unit will not absorb any gaps. Any distortions in the pipes may affect the tightness of the connection, the working of the strainer and can even cause a rupture.** To be sure, place the kit in position to ensure the assembling will work.
- Make sure flanges are cleaned.
- **If sections of piping do not have their final support in place, they should be temporarily fixed. This is to avoid unnecessary strain on the strainer.**
- Tighten the bolts in cross.
- The pressurisation must be increased gradually.
- So that the maintenance operations could be easily done, place a stop valve before and after the strainer. Thereby, the strainer could be isolated. During this operation, ensure to have a new bonnet gasket to avoid a leakage during the restarting.
- **Fluids in the strainer must not contain solid objects (it could damaged the seat).**